



Designed by
Faruk Malhan

Porte PORTE S1 D0814LK

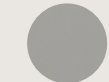
The Porte Series introduces a revolutionary range of products consisting of single desks to multi-person workstations. Elevate teamwork with Porte meeting tables, seamlessly integrating into your workspace.

Warranty / Cleaning & Maintenance

The warranty period is five years from the date of delivery. Check the QR code below, to see cleaning & maintenance information.

COLORS & MATERIALS

Metal Finishes



SATIN EPOXY
POWDER COATING



3101 WHITE EPOXY
POWDER COATING



3101 WHITE EPOXY
POWDER COATING

Laminate Finishes



Production Time / Assembly Notes




6-8 weeks + Shipping
The product is delivered disassembled.

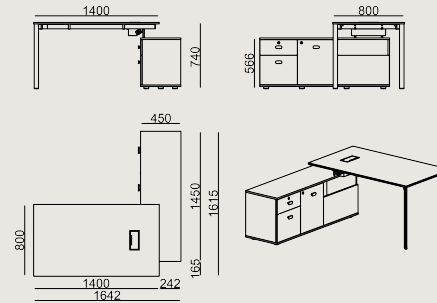
Product Description

- Single desk series; tabletop made of 18 mm chipboard with laminate surface and 2 mm thick edge banding.
- Featuring one powder-coated sheet metal cable grommet and a cable management tray attached under the desk.
- The storage unit's body and top panel are made of 18 mm laminated chipboard with 2 mm thick edge banding.
- The storage unit includes two drawers, a compartment with a door featuring an internal shelf, as well as a dedicated space for a desktop computer tower. At the base of the computer tower compartment, there is a built-in circular cable access port.
- Both the top drawer and the door feature a lock and the product comes with two sets of keys.
- The legs are powder-coated metal.
- This series of models is compatible with the Koleksiyon MPS panel and OPF panel series.

*For accurate sizing and model selection, please refer to the Koleksiyon screen spec sheet or usage chart.

Dimension

 Volume	0.72 m3 25.43 cbft3
 Package	3
 Weight	0 kg 0 lbs



PORTE S1 D0814LK LAMINATE EPOXY
Overall Width: 1400 mm / 55.12"
Overall Depth: 800 mm / 31.5"
Overall Height: 740 mm / 29.13"

Scan for all
colors & materials & catalogs

