



Designed by
Koray Malhan

Teamwall

TEAMWALL S0 TWT_MEU

Teamwall is a versatile partition system designed to meet the dynamic needs of contemporary workspaces. It combines multiple functions such as a whiteboard, TV unit, shelving system, and pinboard, creating an inspiring environment for both individual and collaborative work.

Warranty / Cleaning & Maintenance

The warranty period is five years from the date of delivery. Check the QR code below, to see cleaning & maintenance information.

COLORS & MATERIALS

Metal Finishes



RAL 7021
ANTHRACITE EPOXY
POWDER COATING



3153 OFIS GREY



3101 WHITE



VT459 GREY



VT925 WHITE OAK



VT053 SMOKED OAK

Fabric Finishes

Fabric A: Crepe
Fabric B: Era, Valor
Fabric C: Furnilana
Fabric D: Synergy

Production Time / Assembly Notes

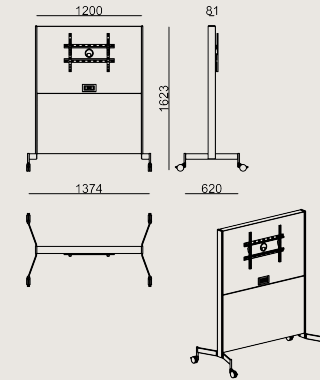
6-8 weeks + Shipping
The product is delivered assembled.

Product Description

- The front surface of the divider features a combination of partially upholstered and white laminated MDF panels, while the rear surface is fully upholstered.
- The frame is made of powder-coated aluminum, and the legs are equipped with castors for easy mobility.
- The product is suitable for use with TVs up to 42 inches in size.
- The distance between the bottom edge of the panel and the floor is 196 mm (7.7 inches).

Dimension

	Volume	0.17 m ³ 6 cbft ³
	Package	4
	Weight	0 kg 0 lbs



TEAMWALL S0 TWT_MEU MELAMINE FABRIC A
Overall Width: 1374 mm / 54.09"
Overall Depth: 620 mm / 24.41"
Overall Height: 1623 mm / 63.9"

