



Designed by
Studio Kairos

Borges

BORGES S4 C0814LK

Borges is a high-quality executive desk that transforms your office into a sophisticated and efficient space. The injection-molded aluminum legs and sleek black chrome surface combine modern aesthetics with durability. Borges elevates your workspace to new heights of style and performance.

Warranty / Cleaning & Maintenance

The warranty period is five years from the date of delivery. Check the QR code below, to see cleaning & maintenance information.

Production Time / Assembly Notes




6-8 weeks + Shipping
The product is delivered disassembled.

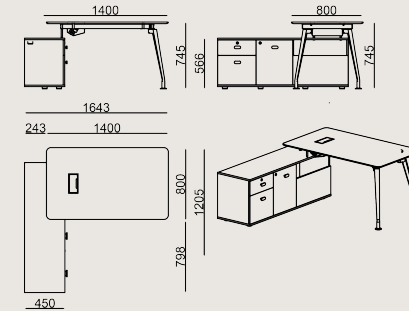
Product Description

- Single desk series; tabletop made of 18 mm chipboard with laminate surface and 2 mm thick edge banding.
- Featuring one powder-coated sheet metal cable grommet and a cable management tray attached under the desk.
- The storage unit's body and top panel are made of 18 mm laminated chipboard with 2 mm thick edge banding.
- The storage unit includes two drawers and a desktop computer tower compartment. At the bottom of the desktop computer tower compartment, includes an internal circular cable access port at the base.
- The top drawer is equipped with a locking system and the product comes with two sets of keys.
- The legs are powder-coated aluminum.
- This series of models is compatible with the Koleksiyon MPS panel and OPF panel series.

*For accurate sizing and model selection, please refer to the Koleksiyon screen spec sheet or usage chart.

Dimension

 Volume	0.52 m3 18.36 cbft3
 Package	4
 Weight	64 kg 141.1 lbs



BORGES S4 C0814LK LAMINATE_EPOXY
Overall Width: 1400 mm / 55.12"
Overall Depth: 800 mm / 31.5"
Overall Height: 745 mm / 29.33"

COLORS & MATERIALS

Metal Finishes



SATIN EPOXY
POWDER COATING



RAL 7021
ANTHRACITE EPOXY
POWDER COATING



3101 WHITE EPOXY
POWDER COATING

Laminate Finishes



3101 WHITE



3153 LIGHT GREY



VT459 GREY



VT925 WHITE OAK



VT053 SMOKED OAK

Scan for all
colors & materials & catalogs

