



Designed by  
**Studio Kairos**

## Borges

BORGES S3 D0818LK

Borges is a high-quality executive desk that transforms your office into a sophisticated and efficient space. The injection-molded aluminum legs and sleek black chrome surface combine modern aesthetics with durability. Borges elevates your workspace to new heights of style and performance.

### Warranty / Cleaning & Maintenance

The warranty period is five years from the date of delivery. Check the QR code below, to see cleaning & maintenance information.

### COLORS & MATERIALS

#### Metal Finishes



SATIN EPOXY  
POWDER COATING



3101 WHITE EPOXY  
POWDER COATING



3101 WHITE EPOXY  
POWDER COATING

#### Laminate Finishes



### Production Time / Assembly Notes

6-8 weeks + Shipping  
The product is delivered disassembled.

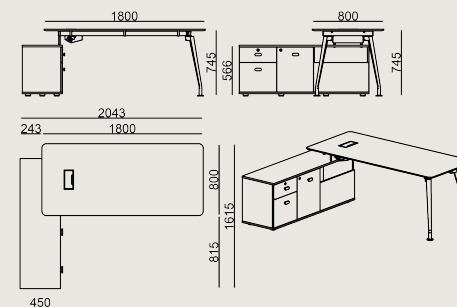
### Product Description

- Single desk series; tabletop made of 18 mm chipboard with laminate surface and 2 mm thick edge banding.
- Featuring one powder-coated sheet metal cable grommet and a cable management tray attached under the desk.
- The storage unit's body and top panel are made of 18 mm laminated chipboard with 2 mm thick edge banding.
- The storage unit includes two drawers, a compartment with a door featuring an internal shelf, as well as a dedicated space for a desktop computer tower. At the base of the computer tower compartment, there is a built-in circular cable access port.
- Both the top drawer and the door feature a lock and the product comes with two sets of keys.
- The legs are powder-coated aluminum.
- This series of models is compatible with the Koleksiyon MPS panel and OPF panel series.

\*For accurate sizing and model selection, please refer to the Koleksiyon screen spec sheet or usage chart.

### Dimension

	Volume	0.72 m3 25.43 cbft3
	Package	4
	Weight	73.5 kg 162.04 lbs



BORGES S4 D0818LK LAMINATE\_EPOXY  
Overall Width: 1800 mm / 70.87"  
Overall Depth: 800 mm / 31.5"  
Overall Height: 745 mm / 29.33"

Scan for all  
colors & materials & catalogs

