



Designed by
Studio Kairos

Borges BORGES S3 A0816NK

Borges is a high-quality executive desk that transforms your office into a sophisticated and efficient space. The injection-molded aluminum legs and sleek black chrome surface combine modern aesthetics with durability. Borges elevates your workspace to new heights of style and performance.

Warranty / Cleaning & Maintenance

The warranty period is five years from the date of delivery. Check the QR code below, to see cleaning & maintenance information.

COLORS & MATERIALS

Metal Finishes



SATIN EPOXY
POWDER COATING



3101 WHITE EPOXY
POWDER COATING



3101 WHITE EPOXY
POWDER COATING

Laminate Finishes



Production Time / Assembly Notes




6-8 weeks + Shipping
The product is delivered disassembled.

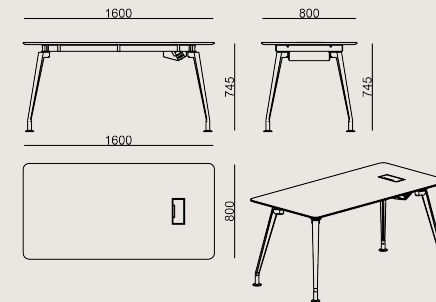
Product Description

- Single desk series; tabletop made of 18 mm chipboard with laminate surface and 2 mm thick edge banding.
- Featuring one powder-coated sheet metal cable grommet and a cable management tray attached under the desk.
- The Vertebra cable management system should be ordered separately.
- The legs are powder-coated aluminum.
- This series of models is compatible with the Koleksiyon MPS panel and OPF panel series.

*For accurate sizing and model selection, please refer to the Koleksiyon screen spec sheet or usage chart.

Dimension

 Volume	0.23 m3 8.12 cbft3
 Package	3
 Weight	38 kg 83.78 lbs



BORGES S4 A0816NK LAMINATE_EPOXY
Overall Width: 1600 mm / 62.99"
Overall Depth: 800 mm / 31.5"
Overall Height: 745 mm / 29.33"

Scan for all
colors & materials & catalogs

