



Designed by
Koz Susani Design

Alcove

ALCOVE 50 N LEFT S POUF

With its rounded lines, Alcove is designed to soften the harsh and sharp edges often found in interiors, creating a more balanced and inviting atmosphere. Designed by Koz&Susani Design, Alcove offers ideal solutions for both living and working spaces.

Warranty / Cleaning & Maintenance

The warranty period is five years from the date of delivery. Check the QR code below, to see cleaning & maintenance information.

COLORS & MATERIALS



Metal Finishes



Fabric Finishes

Fabric A: İstanbul
Fabric B: Era, Alba, Vanelli
Fabric B+: Catch
Fabric D: Synergy, Main Line Flax, Avatar, Jupiter
Fabric E: Iseo, Matera, Supernova, Smilla, Ipanema
Fabric F: Steelcut Trio, Craggan
Fabric C: Antares, Furnilana, Jet, Torino, Jeans, Taiga

Leather Finishes

Artificial Leather: Artificial Leathers
Vita Artificial Leather: Vita Artificial Leathers

Production Time / Assembly Notes

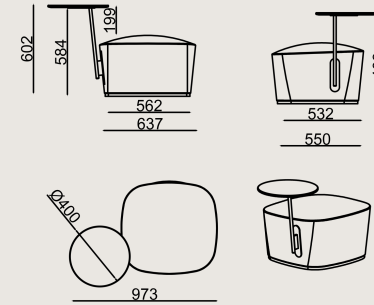
6-8 weeks + Shipping
 The product is delivered assembled.

Product Description

- The seat features a molded soft polyurethane seat supported by a formed metal frame.
- The side table is made from 18 mm high-pressure compact laminate (HPL), providing resistance to heat and surface abrasion. It is securely attached to the seating unit with a powder-coated steel mounting bracket.
- The base is crafted from 18 mm MDF with a black lacquer finish.
- A powder-coated black steel flat bar reinforces the underside of the base.
- The legs are fitted with protective felt glides to help protect the floor

Dimension

	Volume	0.49 m ³ 17.3 cbft ³
	Package	1
	Weight	25 kg 55.12 lbs



ALCOVE 50 N LEFT S POUF FBR A
Overall Width: 978 mm / 38.5"
Overall Depth: 698 mm / 27.48"
Overall Height: 602 mm / 23.7"
Seat Width: 698 mm / 27.48"
Seat Depth: 637 mm / 25.08"
Seat Height: 403 mm / 15.87"
Arm Height: 200 mm / 7.87"

