



Designed by

## Mono

OMNIA H.BACK BLACK OFF.CHAIR 10MNAIACLN

Offering a complete product family with low and high back options, as well as visitor and meeting chairs, Mono stands out with its comfort and elegant presence in every workspace.

## Warranty / Cleaning & Maintenance

The warranty period is five years from the date of delivery. Check the QR code below, to see cleaning & maintenance information.

## COLORS & MATERIALS

## Production Time / Assembly Notes

6-8 weeks + Shipping




The product is delivered assembled.

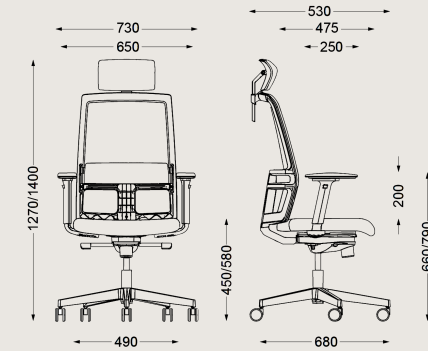
## Product Description

- Polyamide and fiberglass reinforced structure with fire-retardant self-supporting mesh.
- Upholstered polyurethane seat.
- Height-adjustable 1D soft black padded armrests with black plastic frame.
- Height-adjustable black lumbar support.
- Black plastic gas lift and synchronized mechanism.
- Adjustable in height and depth.
- Swivel mechanism with black plastic five-star base.
- Braked black plastic casters for soft floors.\*

\*Casters suitable for hard floors must be ordered separately

## Dimension

	Volume	0 m3 0 cbft3
	Package	0
	Weight	0 kg 0 lbs



OMNIA H.BACK BLACK OFF.CHAIR 10MNAIACLN

Overall Width: 800 mm / 31.5"

Overall Depth: 800 mm / 31.5"

Overall Height: 1150 mm / 45.28"

Scan for all colors & materials & catalogs

