



Designed by
Koray Malhan

Carlina

CARLINA 50 50 K POUF

Designed by Koray Malhan, Carlina Pouf has been developed to create comfortable relaxation areas within office environments. With its understated approach and balanced composition, it offers a versatile solution that adapts seamlessly to different spaces.

Warranty / Cleaning & Maintenance

The warranty period is five years from the date of delivery. Check the QR code below, to see cleaning & maintenance information.

COLORS & MATERIALS

Metal Finishes



BOYA EP.
1263785PX20
COFFEE BROWN İÇ
MEKA



BOYA EP.
1263784PX20
METALİK ANTRASİT
İÇ

Fabric Finishes

Fabric A: FK028

Fabric B: Era, Alba, Tanriverdi, Porto

Fabric B+: Catch, KVADRAT AUTUMN,
KVADRAT GUEST, KVADRAT TELEMIA

Fabric C: Rivet, Furnilana, Jet, Torino, Jeans,
Taiga, Forte, Thor

Fabric D: Synergy, Main Line Flax, Avatar,
Jupiter, KVADRAT TECHNICOLOUR

Fabric E: Iseo, Matera, Supernova, Smilla,
Ipanema

Fabric F: Memory 2, Steelcut Trio, Oceanic,
Craggan

Leather Finishes

Artificial Leather: Artificial Leathers

Vita Artificial Leather: Vita Artificial Leathers

Leather B: DERI MASTROTTO LINEA 622 NERO

Geniune Leather A: Linea

Geniune Leather B: Atlantic

Production Time / Assembly Notes




6-8 weeks + Shipping

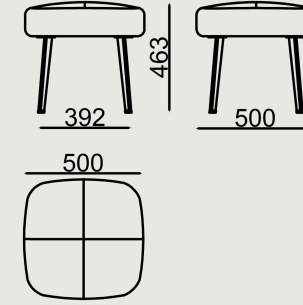
The product is delivered assembled.

Product Description

- The features an internal structure with a wood frame.
- The legs are made of metal with a powder-coated finish.
- Protective furniture glides are attached to the bottom of the legs to protect the floor.

Dimension

 Volume	0.15 m ³ 5.3 cbft ³
 Package	1
 Weight	0 kg 0 lbs



CARLINA 50 50 K POUF FABRIC A
Overall Width: 500 mm / 19.69"
Overall Depth: 500 mm / 19.69"
Overall Height: 463 mm / 18.23"
Seat Width: 500 mm / 19.69"
Seat Depth: 500 mm / 19.69"
Seat Height: 463 mm / 18.23"

Scan for all
colors & materials & catalogs

