



Designed by
Studio Kairos

Terna

TERNA S0 DRT40X90L

The Terna sideboard features elegant powder-coated legs that provide durability and style. Its sleek, modern design seamlessly complements diverse interior aesthetics, making it ideal for any contemporary setting.

Warranty / Cleaning & Maintenance

The warranty period is two years from the date of delivery. Check the QR code below, to see cleaning & maintenance information.

COLORS & MATERIALS

Metal Finishes



RAL 7021
ANTHRACITE EPOXY
POWDER COATING

Laminate Finishes



3101 WHITE



3153 LIGHT GREY



VT459 GREY



VT925 WHITE OAK



VT053 SMOKED OAK

Production Time / Assembly Notes




6-8 weeks + Shipping

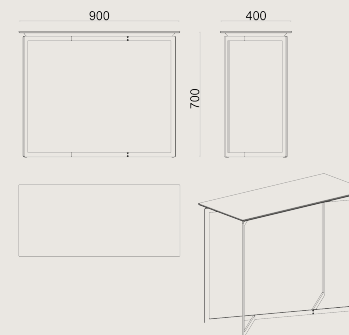
The product is delivered disassembled.

Product Description

- The table features a 25mm MDF-core tabletop covered with laminate or natural veneer.
- The edges are applied with a chamfered knife edge with a wax or natural finish.
- The legs are constructed from 25 x 8 mm metal flat and finished with a powder coating.

Dimension

 Volume	0.07 m3 2.47 cbft3
 Package	2
 Weight	16.1 kg 35.49 lbs



TERNA S0 DRT40X90L LAMINATE EPOXY

Overall Width: 900 mm / 35.43"

Overall Depth: 400 mm / 15.75"

Overall Height: 700 mm / 27.56"

Scan for all
colors & materials & catalogs

