



Designed by
Faruk Malhan

Anitta

ANITTA S2 MEETING LOW CHAIR CS

Anitta office chairs are designed for offices, common areas, and shared spaces. Their distinctive seat form and the seamless integration of the armrests and backrest create a striking visual appeal, making them a standout choice in any setting.

Warranty / Cleaning & Maintenance

The warranty period is five years from the date of delivery. Check the QR code below, to see cleaning & maintenance information.

COLORS & MATERIALS

Fabric Finishes

Fabric A: FK028, İstanbul
Fabric B: Era, Alba
Fabric C: Rivet, Furnilana, Jet, Torino, Jeans
Fabric D: Main Line Flax, KVADRAT
 TECHNICOLOUR
Fabric E: Iseo, Matera
Fabric F: Memory 2, Oceanic, Craggan

Leather Finishes

Artificial Leather: Artificial Leathers
Vita Artificial Leather: Vita Artificial Leathers
Leather B: DERI MASTROTTO LINEA 622 NERO
Geniune Leather A: Linea
Geniune Leather B: Atlantic




Production Time / Assembly Notes

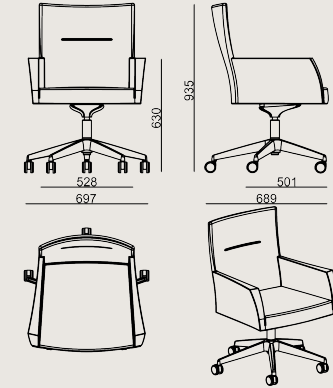
6-8 weeks + Shipping
 The product is delivered assembled.

Product Description

- Soft polyurethane shell molded over a metal frame.
 - Low-back meeting chair.
 - Fixed height.
 - Gas column.
 - Swivel mechanism and chrome-plated five-star base.
 - Unloaded-brake black plastic castors for soft floors.
- *Casters suitable for hard floors must be ordered separately.

Dimension

 Volume	0.57 m3 20.13 cbft3
 Package	1
 Weight	22 kg 48.5 lbs



ANITTA S2 MEETING LOW CHAIR CSF FBR A
Overall Width: 697 mm / 27.44"
Overall Depth: 689 mm / 27.13"
Overall Height: 935 mm / 36.81"
Seat Width: 528 mm / 20.79"
Seat Depth: 501 mm / 19.72"
Seat Height: 470 mm / 18.5"
Arm Height: 630 mm / 24.8"
For COL: Customer's Own Leather
 400 dm2 / 43.06 sq.ft of leather required.
For COM: Customer's Own Material
 3 meters / 3.28 yards of fabric required.

