



Designed by
Faruk Malhan

Zenith

ZENITH S1 SS DYT YDF T

The Zenith chair series is specifically designed for communal spaces. Available in a wide range of fabric options that suit various interior styles, Zenith brings a touch of elegance to living spaces with its simple yet distinctive design.

Warranty / Cleaning & Maintenance

The warranty period is five years from the date of delivery. Check the QR code below, to see cleaning & maintenance information.

COLORS & MATERIALS

Plastic Finishes

RAL 9016 WHITE

RAL 7011 ANTHRACITE

Metal Finishes

MASTROTTO LINEA
625 BURGUNDY

3101 WHITE EPOXY
POWDER COATING

SATIN EPOXY
POWDER COATING

RAL 7021 ANTHRACITE
LACQUER

Fabric Finishes

Fabric B: Era, Valor, Alba
Fabric D: Main Line Flax
Fabric E: Iseo, Matera
Fabric C: Rivet, Furnilana, Jet, Torino, Jeans

Leather Finishes

Artificial Leather: Artificial Leathers
Vita Artificial Leather: Vita Artificial Leathers




Production Time / Assembly Notes

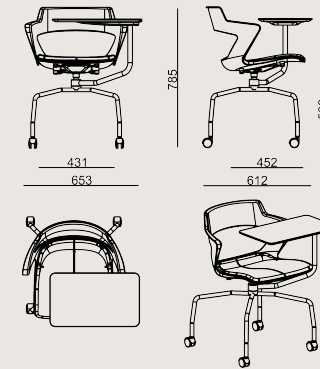
6-8 weeks + Shipping
The product is delivered assembled.

Product Description

- The Seminar Chair features a plastic shell with an upholstered seat.
- The laminated plywood tablet arm rotates 360° around its own axis.
- It is supported by a powder-coated tubular steel 4-leg base.
- Equipped with brake-unloaded plastic casters compatible with soft flooring.*
- Casters for hard floor use are available; please specify and order separately.

Dimension

	Volume	0.3 m3 10.59 cbft3
	Package	1
	Weight	13.5 kg 29.76 lbs



ZENITH S1 SS DYT YDF T EP FBR B
Overall Width: 653 mm / 25.71"
Overall Depth: 612 mm / 24.09"
Overall Height: 785 mm / 30.91"
Seat Width: 431 mm / 16.97"
Seat Depth: 452 mm / 17.8"
Seat Height: 508 mm / 20"
Arm Height: 720 mm / 28.35"
For COL: Customer's Own Leather
 100 dm² / 10.76 sq.ft of leather required.
For COM: Customer's Own Material
 1 meters / 1.09 yards of fabric required.

Scan for all
colors & materials & catalogs

