



Designed by  
**Faruk Malhan**

## Divana

**DIVANA SO 102 LEFT AKAS**

With its modular structure and wooden base, Divan adds elegance to any space with its simple and timeless design. Optional wooden shelves combine functionality with style.

### Warranty / Cleaning & Maintenance

The warranty period is five years from the date of delivery. Check the QR code below, to see cleaning & maintenance information.




### Production Time / Assembly Notes

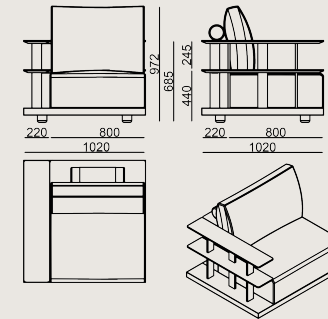
6-8 weeks + Shipping  
The product is delivered disassembled.

### Product Description

- Each module features a unified wooden frame made of beech plywood.
- The seat section incorporates pocket springs, layered with foams of varying densities for enhanced comfort.
- The back cushions are made of a feather blend and feature zippers.
- The base and the side shelves are finished with polished walnut or polished oak veneer.
- The legs are round and made of black plastic.

### Dimension

	Volume	0.84 m3 29.66 cbft3
	Package	1
	Weight	55 kg 121.25 lbs



DIVANA SO 102 LEFT AKAS SOFA FABRIC A

**Overall Width:** 1020 mm / 40.16"

**Overall Depth:** 1020 mm / 40.16"

**Overall Height:** 972 mm / 38.27"

**Seat Width:** 800 mm / 31.5"

**Seat Depth:** 800 mm / 31.5"

**Seat Height:** 435 mm / 17.13"

**Arm Height:** 685 mm / 26.97"

**For COM: Customer's Own Material**

3,250 meters / 3.28 yards of fabric required.

## COLORS & MATERIALS

### Veneer Finishes



WHITE OAK VENEER



SMOKED OAK VENEER



WALNUT VENEER

### Fabric Finishes

**Fabric B:** Savana, Austin, Tanriverdi, Porto, Vanelli

**Fabric B+:** Farinoso, Catch, KVADRAT AUTUMN, KVADRAT GUEST, KVADRAT TELEMIA

**Fabric C:** Antares, Taiga, Forte, Thor

**Fabric D:** Gina, Duke, Kaori, Avatar, Jupiter, KVADRAT TECHNICOLOUR

**Fabric E:** Onix, Supernova, Smilla, Ipanema

**Fabric F:** Velvety, Credo, Twin, Mirange

### Leather Finishes

**Geniune Leather A:** Zenith

**Geniune Leather B:** Atlantic

**Geniune Leather C:** Otis

Scan for all colors & materials & catalogs

