



Designed by
Koray Malhan

Swan SWAN S1 SWN0714

Adding value to workspaces, Swan seamlessly combines elegance with practicality. Its versatile design is ideal for corporate work environments as well as public and educational spaces, including universities, hotels, and schools.

Warranty / Cleaning & Maintenance

The warranty period is five years from the date of delivery. Check the QR code below, to see cleaning & maintenance information.

Production Time / Assembly Notes

6-8 weeks + Shipping
The product is delivered disassembled.




Product Description

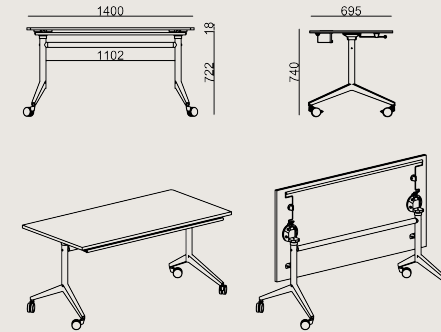
- The tabletop is made of 18 mm chipboard with a laminated surface.
- Thanks to its foldable and connectable design, multiple tables can be combined to create flexible solutions for meeting, training, and workspaces.
- The legs are made of metal with a powder-coated finish.
- The black plastic castors are equipped with a locking mechanism and can be fixed in place.

Product Details



Dimension

 Volume	0.26 m3 9.18 cbft3
 Package	4
 Weight	26.4 kg 58.2 lbs



SWAN S1 SWN0714 LAMINATE / EPOXY
Overall Width: 1400 mm / 55.12"
Overall Depth: 695 mm / 27.36"
Overall Height: 740 mm / 29.13"

COLORS & MATERIALS

Metal Finishes



SATIN EPOXY
POWDER COATING



RAL 7021
ANTHRACITE EPOXY
POWDER COATING



3101 WHITE EPOXY
POWDER COATING

Laminate Finishes



3101 WHITE



3153 OFIS GREY



VT925 WHITE OAK



VT053 SMOKED OAK



VT459 GREY

Scan for all
colors & materials & catalogs

