



Designed by  
**Koray Malhan**

**Swan**  
SWAN S1 SWN0716\_K

Adding value to workspaces, Swan seamlessly combines elegance with practicality. Its versatile design is ideal for corporate work environments as well as public and educational spaces, including universities, hotels, and schools.

## Warranty / Cleaning & Maintenance

The warranty period is five years from the date of delivery. Check the QR code below, to see cleaning & maintenance information.

## Production Time / Assembly Notes

6-8 weeks + Shipping  
The product is delivered disassembled.




## Product Description

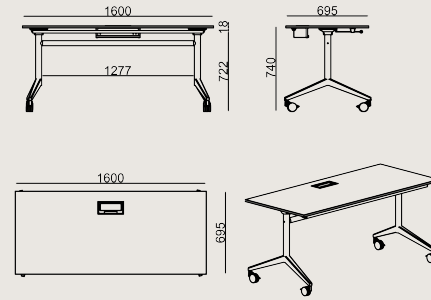
- The tabletop is made of 18 mm chipboard with a laminated surface.
- Featuring one powder-coated sheet metal cable grommet and a cable management tray attached under the desk.
- Thanks to its foldable and connectable design, multiple tables can be combined to create flexible solutions for meeting, training, and workspaces.
- The legs are made of metal with a powder-coated finish.
- The black plastic castors are equipped with a locking mechanism and can be fixed in place.

## Product Details



## Dimension

 Volume	0.24 m <sup>3</sup> 8.48 cbft <sup>3</sup>
 Package	3
 Weight	30 kg 66.14 lbs



SWAN S1 SWN0716\_K LAMINATE / EPOXY  
Overall Width: 1600 mm / 62.99"  
Overall Depth: 695 mm / 27.36"  
Overall Height: 740 mm / 29.13"

## COLORS & MATERIALS

### Metal Finishes



SATIN EPOXY  
POWDER COATING



RAL 7021  
ANTHRACITE EPOXY  
POWDER COATING



3101 WHITE EPOXY  
POWDER COATING

### Laminate Finishes



3101 WHITE



3153 OFIS GREY



VT925 WHITE OAK



VT053 SMOKED OAK



VT459 GREY

