



Designed by  
**Faruk Malhan**

## Akkadian

AKKADIAN MKM S3 MAS240K

Enhanced with refined details, the Akkadian desk offers both prestige and functionality for modern offices. With its spacious work surface, integrated storage, and solid construction, it's an essential piece for professional workspaces.

### Warranty / Cleaning & Maintenance

The warranty period is five years from the date of delivery. Check the QR code below, to see cleaning & maintenance information.

### Production Time / Assembly Notes

6-8 weeks + Shipping  
The product is delivered disassembled.




### Product Description

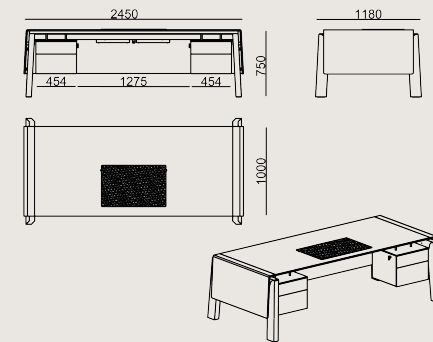
- The tabletop and edge returns are veneered on 14mm MDF with a natural finish.
- The modesty panel is veneered particle board with a natural finish.
- The tabletop includes a movable writing pad made of genuine leather.
- Beneath the tabletop features a powder-coated metal cable tray for cable management.
- The suspended pedestal has a lacquer-painted body, while the drawer fronts are veneered and lacquered.
- The drawer cases are 12 mm lacquered mdf and the bottom panel is fabric-coated.
- The drawers are equipped with a locking system. The locks are provided with a spare key.
- The legs are made of solid beech with a custom-cut veneer finish.

### Product Details



### Dimension

 Volume	0.59 m3 20.84 cbft3
 Package	7
 Weight	200 kg 440.92 lbs



AKKADIAN EXC S3 MAS240K VENEER LTHR  
**Overall Width:** 2450 mm / 96.46"  
**Overall Depth:** 1180 mm / 46.46"  
**Overall Height:** 750 mm / 29.53"

### COLORS & MATERIALS

### Veneer Finishes



WHITE OAK VENEER



SMOKED OAK VENEER



GR012 GREY VENEER

### Metal Finishes



RAL 7021  
ANTHRACITE EPOXY  
POWDER COATING



RAL 7021  
ANTHRACITE  
LACQUER

### Leather Finishes

Leather B: DERI MASTROTTO LINEA 622 NERO

