



Designed by
Jean Nouvel

Vienna

VIENNA S0 81 ARMCH

Vienna, designed by Jean Nouvel, is a series of armchairs, sofa modules, and coffee tables that stand out with their clear and sharp lines. While offering high comfort in office environments, it draws attention with its striking geometry in offices and common areas.

Warranty / Cleaning & Maintenance

The warranty period is five years from the date of delivery. Check the QR code below, to see cleaning & maintenance information.

COLORS & MATERIALS

Fabric Finishes

Fabric A: FK028

Fabric B: Era, Alba, Tanriverdi, Porto

Fabric C: Rivet, Furnilana, Taiga, Forte, Thor

Fabric D: Synergy, Main Line Flax, Avatar, Jupiter, KVADRAT TECHNICOLOUR

Fabric E: Iseo, Matera, Supernova, Smilla, Ipanema

Fabric F: Memory 2, Steelcut Trio, Oceanic, Craggan

Fabric B+: Catch, KVADRAT AUTUMN, KVADRAT GUEST, KVADRAT TELEMIA

Leather Finishes

Artificial Leather: Artificial Leathers

Vita Artificial Leather: Vita Artificial Leathers

Leather B: DERI MASTROTTO LINEA 622 NERO

Geniune Leather A: Linea

Geniune Leather B: Atlantic

Production Time / Assembly Notes




6-8 weeks + Shipping

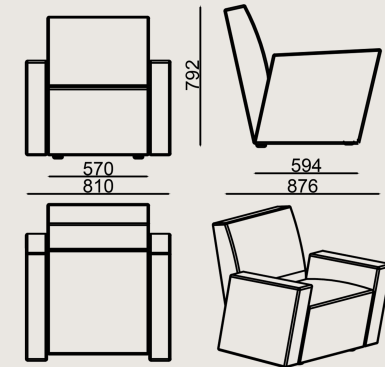
The product is delivered assembled.

Product Description

- The features a wooden structure interior frame.
- To ensure the necessary flexibility in the seating area, elastic webbing is applied to the seat frame and various density foams are used on top.
- The unit is equipped with 18 mm high black plastic feet.

Dimension

 Volume	0.64 m3 22.6 cbft3
 Package	1
 Weight	40 kg 88.18 lbs



VIENNA S0 81 ARMCH FABRIC A

Overall Width: 810 mm / 31.89"

Overall Depth: 876 mm / 34.49"

Overall Height: 792 mm / 31.18"

Seat Width: 594 mm / 23.39"

Seat Depth: 594 mm / 23.39"

Seat Height: 411 mm / 16.18"

Arm Height: 547 mm / 21.54"

For COL: Customer's Own Leather

950 dm2 / 102.26 sq.ft of leather required.

For COM: Customer's Own Material

5 meters / 5.47 yards of fabric required.

Scan for all
colors & materials & catalogs

