



Designed by  
**Faruk Malhan**

## Porte

PORTE S0 TMY160 LAMINATE EPOXY

Elevate teamwork with Porte meeting tables, seamlessly integrating into your workspace. Redefine your office environment with Porte's sleek style and unmatched adaptability and durability.

## Warranty / Cleaning & Maintenance

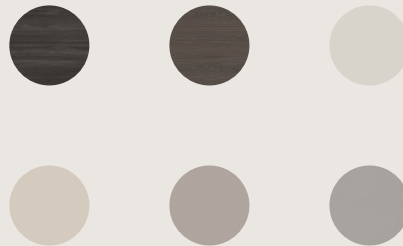
The warranty period is five years from the date of delivery. Check the QR code below, to see cleaning & maintenance information.

## COLORS & MATERIALS

### Metal Finishes



### Laminate Finishes






## Production Time / Assembly Notes

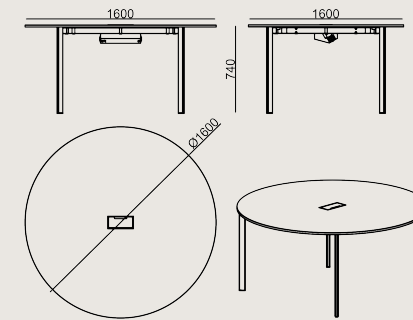
6-8 weeks + Shipping  
The product is delivered disassembled.

## Product Description

- Four-user collaborative workstation for shared spaces series; tabletop made of 18 mm chipboard with laminate surface and 2 mm thick edge banding.
- Featuring one powder-coated sheet metal cable grommet and a cable management tray attached under the desk.
- The Vertebra cable management system should be ordered separately.
- The legs are powder-coated metal.

## Dimension

 Volume	0.36 m3 12.71 cbft3
 Package	4
 Weight	44.6 kg 98.33 lbs



PORTE S0 TMY160 LAMINATE EPOXY  
Overall Width: 1600 mm / 62.99"  
Overall Depth: 1600 mm / 62.99"  
Overall Height: 740 mm / 29.13"  
Overall Diameter: 1600 mm / 62.99"

