



Designed by
Faruk Malhan

Porte

PORTE S0 TMY130 LAMINATE EPOXY

Elevate teamwork with Porte meeting tables, seamlessly integrating into your workspace. Redefine your office environment with Porte's sleek style and unmatched adaptability and durability.

Warranty / Cleaning & Maintenance

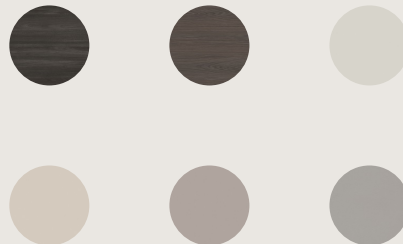
The warranty period is five years from the date of delivery. Check the QR code below, to see cleaning & maintenance information.

COLORS & MATERIALS

Metal Finishes



Laminate Finishes






Production Time / Assembly Notes

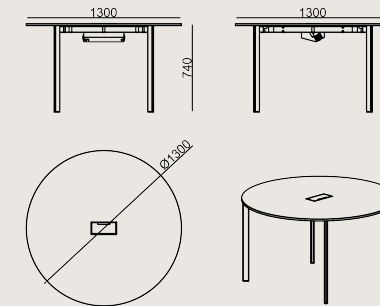
6-8 weeks + Shipping
The product is delivered disassembled.

Product Description

- Four-user collaborative workstation for shared spaces series; tabletop made of 18 mm chipboard with laminate surface and 2 mm thick edge banding.
- Featuring one powder-coated sheet metal cable grommet and a cable management tray attached under the desk.
- The Vertebra cable management system should be ordered separately.
- The legs are powder-coated metal.

Dimension

	Volume	0.28 m3 9.89 cbft3
	Package	4
	Weight	0 kg 0 lbs



PORTE S0 TMY130 LAMINATE EPOXY
Overall Width: 1300 mm / 51.18"
Overall Depth: 1300 mm / 51.18"
Overall Height: 740 mm / 29.13"
Overall Diameter: 1300 mm / 51.18"

