



Designed by
Koray Malhan

Glenn

GLENN SO TPL TM480

This meeting table combines elegance and functionality, offering a spacious surface ideal for high-level meetings. Its sleek design integrates seamlessly into modern office environments, providing a refined atmosphere that promotes productivity and collaboration.

Warranty / Cleaning & Maintenance

The warranty period is five years from the date of delivery. Check the QR code below, to see cleaning & maintenance information.

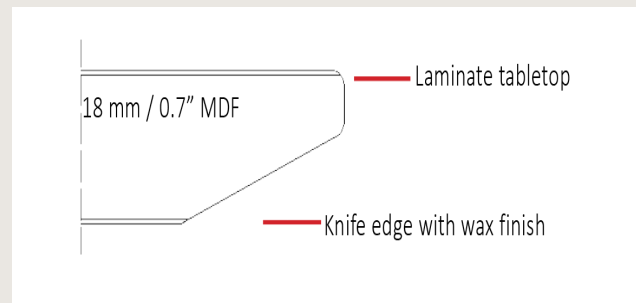
Production Time / Assembly Notes

6-8 weeks + Shipping
The product is delivered disassembled.

Product Description

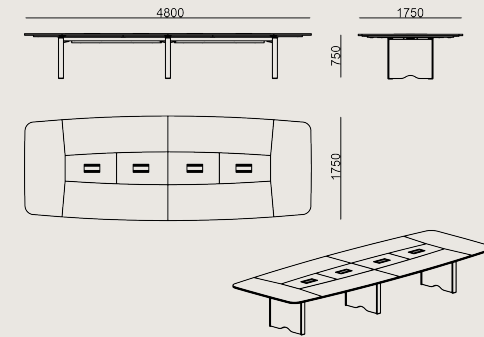
- The side panels and tabletop are made from selected wood veneers applied on MDF.
- The middle panel features black leather on MDF.
- The leg frames and the middle section are covered with black leather, while the frame edges are finished with the same selected wood veneers as the tabletop.
- The models above feature a powder coated sheet metal cable grommet and a cable management tray attached under the desk.
- The support legs are designed to accommodate cable management alignments in the models above.
- The models above feature powder coated sheet metal cable grommets along the center.
- Bi-directional openable cable exit covers are produced from powder-coated sheet metal.

Product Details



Dimension

	Volume	1.34 m3 47.32 cbft3
	Package	13
	Weight	330.25 kg 728.08 lbs



GLENN SO MTNG TM480 VENEER LEATHER
Overall Width: 4800 mm / 188.98"
Overall Depth: 1750 mm / 68.9"
Overall Height: 750 mm / 29.53"

COLORS & MATERIALS

Veneer Finishes



WHITE OAK VENEER



SMOKED OAK VENEER



GR012 GREY VENEER

Metal Finishes



RAL 7021
ANTHRACITE EPOXY
POWDER COATING

Leather Finishes

Leather B: DERI MASTROTTO LINEA 622 NERO

Scan for all
colors & materials & catalogs

