



Designed by
Faruk Malhan

Convivium

CONVIVIUM MTNG S0 TM300

Convivium is a modern and functional meeting table designed to enhance collaboration and efficiency. Its integrated cable management and ergonomic design create an organized workspace. With durable materials, it offers both aesthetics and long-lasting use.

Warranty / Cleaning & Maintenance

The warranty period is five years from the date of delivery. Check the QR code below, to see cleaning & maintenance information.

Production Time / Assembly Notes

6-8 weeks + Shipping
The product is delivered disassembled.

Product Description

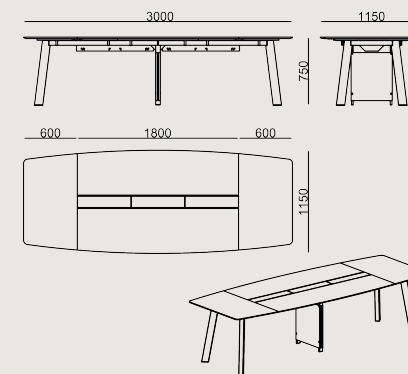
- The support legs are designed to accommodate cable management alignments across all models.
- Each model features a powder-coated sheet metal cable management channel along the center.
- The tabletop has a thickness of 18mm.
- In laminated tabletop options, the cable cover is powder-coated over an aluminum profile, and the legs are anodized.
- In veneered tabletop options, the cable cover is veneered over an aluminum profile, and the legs are produced with the selected veneer finish.

Product Details



Dimension

	Volume	0.52 m3 18.36 cbft3
	Package	7
	Weight	107.25 kg 236.45 lbs



CONVIVIUM MTNG S0 TM300 VENEER
Overall Width: 3000 mm / 118.11"
Overall Depth: 1150 mm / 45.28"
Overall Height: 750 mm / 29.53"

COLORS & MATERIALS

Veneer Finishes



WHITE OAK VENEER



SMOKED OAK VENEER



GR012 GREY VENEER

Metal Finishes



RAL 7021 ANTHRACITE EPOXY POWDER COATING

ANODIZING

Laminate Finishes



3101 WHITE



3153 LIGHT GREY



VT459 GREY



VT925 WHITE OAK



VT053 SMOKED OAK

Scan for all colors & materials & catalogs

