



Designed by  
**Studio Kairos**

**Calvino**  
CALVINO S6 J1614N

## Warranty / Cleaning & Maintenance

The warranty period is five years from the date of delivery. Check the QR code below, to see cleaning & maintenance information.

## COLORS & MATERIALS

### Metal Finishes



RAL 7021  
ANTHRACITE EPOXY  
POWDER COATING

### Laminate Finishes



3101 WHITE



3153 LIGHT GREY



VT925 WHITE OAK



VT053 SMOKED OAK



VT459 GREY

## Production Time / Assembly Notes




6-8 weeks + Shipping

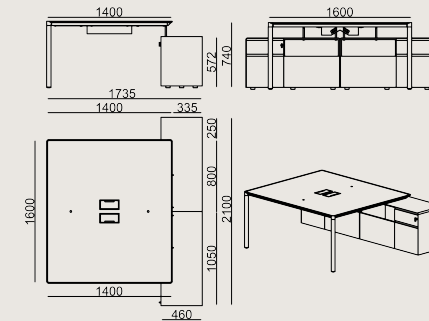
The product is delivered disassembled.

## Product Description

- Double desk series, two seater work station
- Featuring a storage unit with two drawers and a system unit storage providing power access to the table through a circular gap at the bottom tray.
- Top drawer features a central locking system and the product comes with two copies of keys.
- The models above feature two powder coated sheet metal cable grommets and a cable management tray attached under the desk
- The center line is compatible with Koleksiyon Screen APF models to create separate work surfaces.
- Please see the Koleksiyon Screen spec sheet.

## Dimension

	Volume	1 m3 35.31 cbft3
	Package	4
	Weight	0 kg 0 lbs



CLV S6 J1614N LAMINATE EPXY  
Overall Width: 1400 mm / 55.12"  
Overall Depth: 1600 mm / 62.99"  
Overall Height: 740 mm / 29.13"

Scan for all  
colors & materials & catalogs

