



Designed by
Faruk Malhan

Karia

KARIA YATAK S0 YT160

The headboard and footboard can be produced with upholstered alternatives according to user preferences. Its slatted structure provides solid support for the bed while seamlessly adapting to any bedroom decor with its modern and functional design. With its elegant and practical details, it offers both aesthetics and comfort.

Warranty / Cleaning & Maintenance

The warranty period is five years from the date of delivery. Check the QR code below, to see cleaning & maintenance information.

COLORS & MATERIALS

Fabric Finishes

Fabric A: FK028

Fabric B: Savana, Austin, Tanriverdi, Porto, Vanelli

Fabric C: Antares, Taiga, Forte, Thor

Fabric D: Gina, Duke, Avatar, Jupiter

Fabric E: Onix, Supernova, Smilla, Ipanema

Fabric F: Velvety, Credo, Twin

Production Time / Assembly Notes

6-8 weeks + Shipping

The product is delivered disassembled.




Product Description

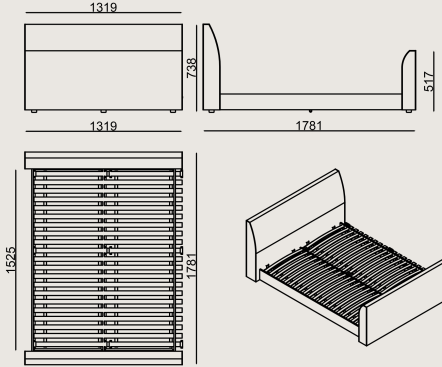
- The headboard and footboard are upholstered with foam and fabric over a plywood frame.
- Side traverses are fabric-covered plywood.
- Wooden slats are placed under the bed.
- The legs are made of black plastic.

Product Details



Dimension

	Volume	0 m3 0 cbft3
	Package	0
	Weight	0 kg 0 lbs



KARIA BED S0 YT160 FABRIC A
Overall Width: 2375 mm / 93.5"
Overall Depth: 1760 mm / 69.29"
Overall Height: 984 mm / 38.74"

Scan for all
colors & materials & catalogs

