



Designed by  
**Studio Kairos**

## Sole

SOLE S0 ARMC ROCKER MEC ROTARY

Sole armchair redefines comfort with its modern lines and functional design. It offers a unique seating experience by adapting to every space with its swivel and rocking mechanism or fixed leg options.

## Warranty / Cleaning & Maintenance

The warranty period is five years from the date of delivery. Check the QR code below, to see cleaning & maintenance information.

## COLORS & MATERIALS

### Metal Finishes



BOYA EP.  
1263785PX20  
COFFEE BROWN İÇ  
MEKA



BOYA EP.  
1263784PX20  
METALİK ANTRASİT  
İÇ

### Fabric Finishes

**Fabric A:** FK028

**Fabric B:** Era, Savana, Austin, Alba, Tanriverdi, Porto

**Fabric C:** Antares, Rivet, Furnilana, Jet, Torino, Jeans, Taiga, Forte, Thor

**Fabric D:** Synergy, Main Line Flax, Gina, Duke, Avatar, Jupiter, KVADRAT TECHNICOLOUR

**Fabric E:** Iseo, Matera, Onix, Supernova, Smilla, Ipanema

**Fabric F:** Memory 2, Craggan, Massa, Velvety, Credo, Twin, Chic

**Fabric B+:** Farinoso, Catch, KVADRAT AUTUMN, KVADRAT GUEST, KVADRAT TELEMIA

### Leather Finishes

**Artificial Leather:** Artificial Leathers

**Vita Artificial Leather:** Vita Artificial Leathers

**Leather B:** DERI MASTROTTO LINEA 622 NERO

**Geniune Leather A:** Linea

**Geniune Leather B:** Atlantic

## Production Time / Assembly Notes




6-8 weeks + Shipping

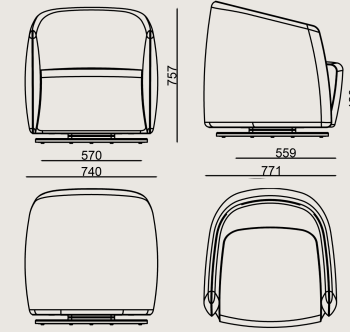
The product is delivered assembled.

## Product Description

- Steel frame structure with a polyurethane-injected shell.
- The piping used is always black leather.
- The base, which includes a rocking and swivel mechanism, is made of powder-coated sheet metal.

## Dimension

	Volume	0.62 m3 21.9 cbft3
	Package	1
	Weight	44 kg 97 lbs



SOLE S0 ARMC ROCKER MEC ROTARY FABRIC A

**Overall Width:** 740 mm / 29.13"

**Overall Depth:** 771 mm / 30.35"

**Overall Height:** 757 mm / 29.8"

Scan for all  
colors & materials & catalogs

