



Designed by
Studio Kairos

Sole

SOLE ARMCHAIR FIXED

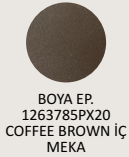
Sole armchair redefines comfort with its modern lines and functional design. It offers a unique seating experience by adapting to every space with its swivel and rocking mechanism or fixed leg options.

Warranty / Cleaning & Maintenance

The warranty period is five years from the date of delivery. Check the QR code below, to see cleaning & maintenance information.

COLORS & MATERIALS

Metal Finishes



CHROME

Fabric Finishes

Fabric A: FK028

Fabric B: Era, Savana, Austin, Alba, Tanriverdi, Porto

Fabric C: Antares, Rivet, Furnilana, Jet, Torino, Jeans, Taiga, Forte, Thor

Fabric D: Synergy, Main Line Flax, Gina, Duke, Avatar, Jupiter, KVADRAT TECHNICOLOUR

Fabric E: Iseo, Matera, Onix, Supernova, Smilla, Ipanema

Fabric F: Memory 2, Craggan, Massa, Velvety, Credo, Twin, Chic

Fabric B+: Farinoso, Catch, KVADRAT AUTUMN, KVADRAT GUEST, KVADRAT TELEMIA

Leather Finishes

Artificial Leather: Artificial Leathers

Vita Artificial Leather: Vita Artificial Leathers

Leather B: DERI MASTROTTO LINEA 622 NERO

Geniune Leather A: Linea

Geniune Leather B: Atlantic

Production Time / Assembly Notes

6-8 weeks + Shipping

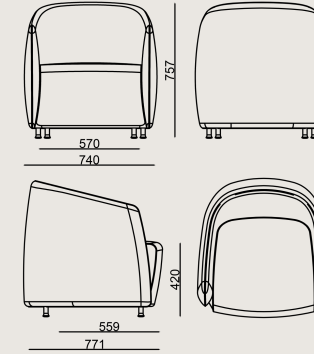
The product is delivered assembled.

Product Description

- Soft polyurethane shell molded over a metal frame.
- Piping is fixed in black leather.
- Legs are made of metal, either powder-coated or chrome-plated.

Dimension

	Volume	0.59 m3 20.84 cbft3
	Package	1
	Weight	32 kg 70.55 lbs



SOLE ARMCHAIR FIXED FABRIC A
Overall Width: 740 mm / 29.13"
Overall Depth: 771 mm / 30.35"
Overall Height: 757 mm / 29.8"

Scan for all
colors & materials & catalogs

