



Designed by
Defne Koz / Marco Susani

Alcove

ALCOVE 50 KS ARMCHAIR

The Alcove Chair features a soft form and modern lines, adding a refined touch to any space.

Warranty / Cleaning & Maintenance

The warranty period is five years from the date of delivery. Check the QR code below, to see cleaning & maintenance information.

COLORS & MATERIALS

Fabric Finishes

Fabric A: Istanbul

Fabric B: Era, Alba, Vanelli

Fabric C: Antares, Furnilana, Jet, Torino, Jeans, Taiga

Fabric D: Synergy, Main Line Flax, Avatar, Jupiter

Fabric E: Iseo, Matera, Supernova, Smilla, Ipanema

Fabric F: Steelcut Trio, Craggan

Fabric B+: Catch

Leather Finishes

Artificial Leather: Artificial Leathers

Vita Artificial Leather: Vita Artificial Leathers

Production Time / Assembly Notes




6-8 weeks + Shipping

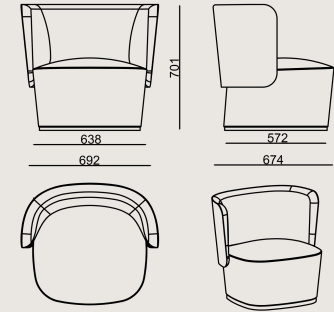
The product is delivered assembled.

Product Description

- The seat and backrest feature an injected soft polyurethane foam over a metal frame.
- The base features veneer on 18mm MDF with a black aniline finish.
- The legs are made of flat metal with a black powder-coated finish.

Dimension

	Volume	0.5 m3 17.66 cbft3
	Package	1
	Weight	30 kg 66.14 lbs



ALCOVE 50 KS ARMCHAIR KMS A
Overall Width: 692 mm / 27.24"
Overall Depth: 677 mm / 26.65"
Overall Height: 701 mm / 27.6"

Scan for all
colors & materials & catalogs

