



Designed by
Faruk Malhan

Botero BOTERO S3 ARMCHAIR EP

Botero designed by Faruk Malhan is an armchair shaped by soft and elegant curves along its geometrical form. Through its different color and upholstery options, the design provides comfort for a vast diversity of spaces; such as public areas, lobbies, open offices, executive offices, and meeting rooms.

Warranty / Cleaning & Maintenance

The warranty period is five years from the date of delivery. Check the QR code below, to see cleaning & maintenance information.

COLORS & MATERIALS

Metal Finishes



METALLIC BROWN
POWDER COATING



METALLIC ANTHRACITE
POWDER COATING

Fabric Finishes

Fabric A: FK028

Fabric B: Era, Alba, Tanriverdi, Porto

Fabric C: Antares, Rivet, Furnilana, Jet, Torino, Jeans, Taiga, Thor

Fabric D: Synergy, Main Line Flax, Avatar, Jupiter, KVADRAT TECHNICOLOUR

Fabric E: Iseo, Matera, Onix, Supernova, Smilla, Ipanema

Fabric F: Memory 2, Steelcut Trio, Oceanic, Craggan, Velvety, Credo, Twin, Chic

Leather Finishes

Artificial Leather: Artificial Leathers

Vita Artificial Leather: Vita Artificial Leathers

Leather B: DERI MASTROTTO LINEA 622 NERO

Geniune Leather B: Linea, Atlantic

Production Time / Assembly Notes

6-8 weeks + Shipping

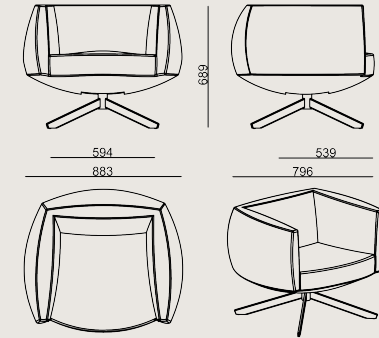
The product is delivered assembled.

Product Description

- The features a polyurethane injected mold seat upholstered with selected fabrics or leathers.
- This armchair has a 180-degree swivel and a self-return mechanism.
- The powder coated metal pyramid base features clear plastic glides.

Dimension

	Volume	0.5 m3 17.66 cbft3
	Package	1
	Weight	38 kg 83.78 lbs



BOTERO S3 ARMCHAIR EP FABRIC A

Overall Width: 883 mm / 34.76"

Overall Depth: 796 mm / 31.34"

Overall Height: 689 mm / 27.13"

Seat Width: 594 mm / 23.39"

Seat Depth: 539 mm / 21.22"

Seat Height: 408 mm / 16.06"

Arm Height: 689 mm / 27.13"

For COL: Customer's Own Leather

1000 dm2 / 107.64 sq.ft of leather required.

For COM: Customer's Own Material

4,5 meters / 4.37 yards of fabric required.

Scan for all
colors & materials & catalogs

