



Designed by
Studio Kairos

Solis

SOLIS S0 MIDDLE POUF WITH BACK

Solis is a modular seating series designed for workspaces, common areas, and living spaces. With three different pouf units, it offers flexible arrangements and color options. Combining comfort and style, Solis seamlessly fits into modern spaces.

Warranty / Cleaning & Maintenance

The warranty period is five years from the date of delivery. Check the QR code below, to see cleaning & maintenance information.

COLORS & MATERIALS

Fabric Finishes

Fabric B: Era, Alba, Tanriverdi, Porto

Fabric E: Matera, Supernova, Smilla, Ipanema

Fabric C: Rivet, Furnilana, Taiga, Thor

Fabric F: Memory 2, Oceanic, Craggan

Fabric D: Synergy, Main Line Flax, Avatar, Jupiter, KVADRAT TECHNICOLOUR

Fabric B+: Catch, KVADRAT AUTUMN, KVADRAT GUEST, KVADRAT TELEMIA

Production Time / Assembly Notes




6-8 weeks + Shipping

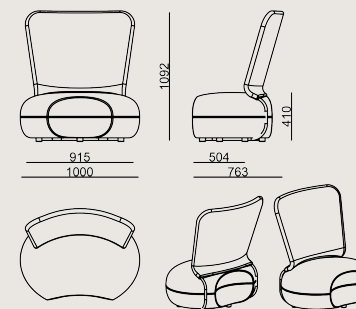
The product is delivered assembled.

Product Description

- Soft polyurethane shell molded over a metal frame.
- The connection piece between the seat and the backrest is made of powder-coated metal.
- The models can be combined in different usage configurations to create a wide variety of product types.
- The unit is equipped with 3 cm high black plastic feet.

Dimension

 Volume	0.99 m3 34.96 cbft3
 Package	1
 Weight	33.7 kg 74.3 lbs



SOLIS S0 MIDDLE POUF WITH BACK FABRIC B

Overall Width: 1000 mm / 39.37"

Overall Depth: 668 mm / 26.3"

Overall Height: 1092 mm / 42.99"

Seat Width: 763 mm / 30.04"

Seat Depth: 504 mm / 19.84"

Seat Height: 410 mm / 16.14"

For COM: Customer's Own Material

5,5 meters / 5.47 yards of fabric required.

Scan for all
colors & materials & catalogs

