



Designed by
Faruk Malhan

Juliet

JULIET S2 BDJ90F BED

Juliet is a unique design where natural solid wood surfaces generously take the spotlight. With its slender legs and tall wooden headboard, it is ideal for those who seek a distinctive design in the bedroom.

Warranty / Cleaning & Maintenance

The warranty period is five years from the date of delivery. Check the QR code below, to see cleaning & maintenance information.

COLORS & MATERIALS

Metal Finishes



RAL 7021
ANTHRACITE EPOXY
POWDER COATING

Fabric Finishes

Fabric B: Savana, Austin, Tanriverdi, Porto

Fabric C: Antares, Taiga, Forte, Thor

Fabric A: FK028, Polo, Armoni

Fabric D: Gina, Duke, Avatar, Jupiter, KVADRAT
TECHNICOLOUR

Production Time / Assembly Notes




6-8 weeks + Shipping

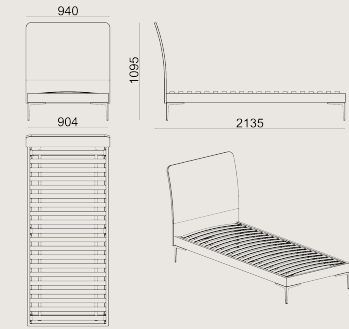
The product is delivered disassembled.

Product Description

- The headboard cover is sewn using 200 g fiberfill, fabric, and interlining, and is designed to fit over the headboard.
- The legs are made from specially bent 3 mm sheet metal and finished with powder coating.
- The side and footboard covers are stitched with fabric using overlock stitching (fatex).
- The bed base consists of a wooden frame with wooden slats.

Dimension

 Volume	0.47 m3 16.6 cbft3
 Package	3
 Weight	0 kg 0 lbs



JULIET S2 BDJ90F BED FABRIC B
Overall Width: 2135 mm / 84.06"
Overall Depth: 940 mm / 37.01"
Overall Height: 1095 mm / 43.11"

Scan for all
colors & materials & catalogs

