



Designed by  
**Faruk Malhan**

## Anitta

ANITTA S2 MANAGER LOW CHAIR

Anitta office chairs are designed for offices, common areas, and shared spaces. Their distinctive seat form and the seamless integration of the armrests and backrest create a striking visual appeal, making them a standout choice in any setting.

### Warranty / Cleaning & Maintenance

The warranty period is five years from the date of delivery. Check the QR code below, to see cleaning & maintenance information.

### COLORS & MATERIALS

#### Fabric Finishes

**Fabric A:** FK028, İstanbul

**Fabric B:** Era, Alba

**Fabric C:** Rivet, Furnilana, Jet, Torino, Jeans

**Fabric D:** Main Line Flax, KVADRAT  
TECHNICOLOUR

**Fabric E:** Iseo, Matera

**Fabric F:** Memory 2, Oceanic, Craggan

#### Leather Finishes

**Artificial Leather:** Artificial Leathers

**Vita Artificial Leather:** Vita Artificial Leathers

**Leather B:** DERI MASTROTTO LINEA 622 NERO

**Geniune Leather A:** Linea

**Geniune Leather B:** Atlantic

### Production Time / Assembly Notes




6-8 weeks + Shipping

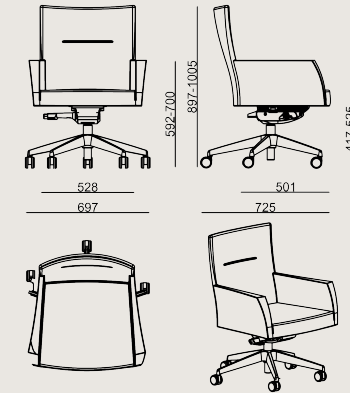
The product is delivered assembled.

### Product Description

- Soft polyurethane shell molded over a metal frame.
  - Gas column and synchro mechanism.
  - Height adjustable.
  - Swivel mechanism and chrome-plated five-star base.
  - Unloaded-brake black plastic castors for soft floors.
- \*Casters suitable for hard floors must be ordered separately.

### Dimension

 Volume	0.45 m3 15.89 cbft3
 Package	1
 Weight	19 kg 41.89 lbs



ANITTA S2 MANAGER LOW CHAIR ZEN 029  
**Overall Width:** 727 mm / 28.62"  
**Overall Depth:** 758 mm / 29.84"  
**Overall Height:** 940 mm / 37.01"

Scan for all  
colors & materials & catalogs

