



Designed by
Faruk Malhan

Cellar

CELLAR BÜFE S0 BF240

Cellar sideboard is an elegant storage solution that combines the warm texture of wood with modern design language. With its thin metal legs and remarkable geometric details, it adds elegance to the space and stands out with its functionality.

Warranty / Cleaning & Maintenance

The warranty period is five years from the date of delivery. Check the QR code below, to see cleaning & maintenance information.

COLORS & MATERIALS

Veneer Finishes



WHITE OAK VENEER



SMOKED OAK VENEER

Metal Finishes



RAL 7021 ANTHRACITE EPOXY POWDER COATING

Lacquered Finishes



RAL 9010 WHITE LACQUER



RAL 7021 ANTHRACITE LACQUER



RAL 7032 GREY LACQUER

Production Time / Assembly Notes

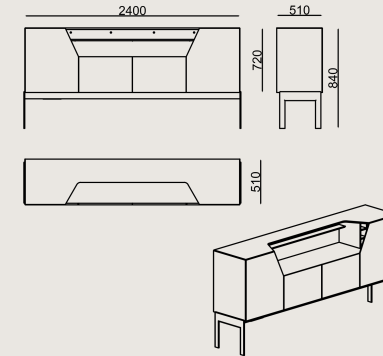
6-8 weeks + Shipping
The product is delivered disassembled.

Product Description

- The body is made of 18mm MDF with a lacquer finish.
- The top panel, drawers, and doors are crafted from 18mm plywood with a veneer finish.
- The shelves are made of Belenco material, enhancing durability and ease of cleaning. Inside the console, a specially designed storage area for bottles ensures both organization and safety.
- The integrated LED lighting adds a user-friendly touch, offering both decorative and functional benefits.
- The legs are made of 10mm flat bar steel with an electrostatic powder-coated finish.

Dimension

	Volume	0.55 m3 19.42 cbft3
	Package	13
	Weight	0 kg 0 lbs



CELLAR SIDE BOARD S0 BF240 VNR / LQ / EP
Overall Width: 2400 mm / 94.49"
Overall Depth: 510 mm / 20.08"
Overall Height: 1120 mm / 44.09"

