



Designed by
Faruk Malhan

Platon

PLATON TABLE S0 MAS220

Platon Table blends aesthetic simplicity with functionality. The warm texture of solid walnut legs contrasts elegantly with the modern glass top, creating a sense of balance and openness. Its timeless design and exceptional craftsmanship add a sophisticated touch to contemporary living spaces.

Warranty / Cleaning & Maintenance

The warranty period is five years from the date of delivery. Check the QR code below, to see cleaning & maintenance information.

COLORS & MATERIALS

Veneer Finishes



WHITE OAK



SMOKED OAK

Glass Finishes



BLACK MATTE
LACQUER GLASS



RAL 9010 MATTE
WHITE LACQUER

Metal Finishes



RAL 7021
ANTHRACITE EPOXY
POWDER COATING

Production Time / Assembly Notes




6-8 weeks + Shipping

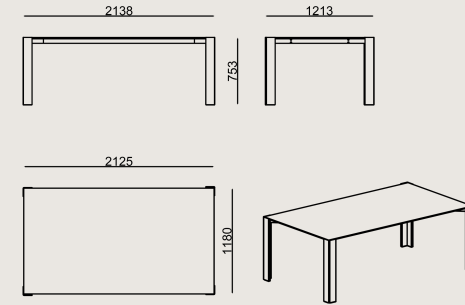
The product is delivered disassembled.

Product Description

- The top is made of 10 mm thick tempered and painted glass.
- The legs are made of polished solid ash.
- Protective glides are attached to the bottom of the legs to protect the floor.

Dimension

	Volume	0 m3 0 cbft3
	Package	5
	Weight	0 kg 0 lbs



PLATON TABLE S0 MAS220 GLASS / WDN

Overall Width: 1213 mm / 47.76"

Overall Depth: 2138 mm / 84.17"

Overall Height: 753 mm / 29.65"

Scan for all
colors & materials & catalogs

