



Designed by
Studio Kairos

Milva

MILVA SEHPA S0 SSY600H2

Choose from a veneered, laminated, or sheet metal tabletop, all supported by sleek bent metal rod legs. Crafted from top-quality materials, this table combines durability with a minimalist aesthetic. Elevate your living space with this sophisticated and stylish piece.

Warranty / Cleaning & Maintenance

The warranty period is five years from the date of delivery. Check the QR code below, to see cleaning & maintenance information.

COLORS & MATERIALS

Metal Finishes



SATIN EPOXY
POWDER COATING



RAL 7021
ANTHRACITE EPOXY
POWDER COATING



3101 WHITE EPOXY
POWDER COATING

Production Time / Assembly Notes




6-8 weeks + Shipping

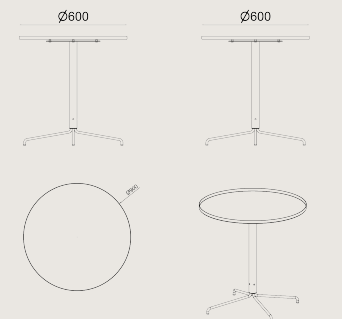
The product is delivered disassembled.

Product Description

- These models of Milva coffee table feature a powder coated sheet metal tabletop with raised edges.
- The legs are bent metal rod that can be specified as powder coated or chrome plated.
- The connection between the legs and the tabletop is powder coated or chrome plated aluminum profile.

Dimension

 Volume	0.12 m ³ 4.24 cbft ³
 Package	3
 Weight	0 kg 0 lbs



MILVA S0 SSY600H2 SHEET EPOXY
Overall Width: 600 mm / 23.62"
Overall Depth: 600 mm / 23.62"
Overall Height: 608 mm / 23.94"
Overall Diameter: 600 mm / 23.62"

Scan for all
colors & materials & catalogs

