



Designed by
Studio Kairos

Milva

MILVA S0 ASY600H2 KROMAJ

Choose from a veneered, laminated, or sheet metal tabletop, all supported by sleek bent metal rod legs. Crafted from top-quality materials, this table combines durability with a minimalist aesthetic. Elevate your living space with this sophisticated and stylish piece.

Warranty / Cleaning & Maintenance

The warranty period is five years from the date of delivery. Check the QR code below, to see cleaning & maintenance information.

COLORS & MATERIALS

Veneer Finishes



WHITE OAK VENEER



SMOKED OAK VENEER



GR012 GREY VENEER

Metal Finishes



SATIN EPOXY POWDER COATING



RAL 7021 ANTHRACITE EPOXY POWDER COATING



3101 WHITE EPOXY POWDER COATING

Laminate Finishes



3101 WHITE



3153 LIGHT GREY



VT459 GREY



VT925 WHITE OAK



VT053 SMOKED OAK

Production Time / Assembly Notes

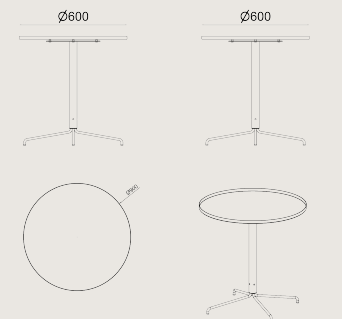
6-8 weeks + Shipping
The product is delivered disassembled.

Product Description

- These models of Milva coffee table feature 18 mm MDF core tabletops covered with a natural veneer or selected laminates.
- The veneered tabletops are finished with selected colors.
- The legs are bent metal rod that can be specified as powder coated or chrome plated.
- The connection between the legs and the tabletop is powder coated or chrome plated aluminum profile.

Dimension

	Volume	0.2 m3 7.06 cbft3
	Package	2
	Weight	11 kg 24.25 lbs



MILVA S0 ASY600H2 VENEER EPOXY
Overall Width: 600 mm / 23.62"
Overall Depth: 600 mm / 23.62"
Overall Height: 608 mm / 23.94"
Overall Diameter: 600 mm / 23.62"

Scan for all colors & materials & catalogs

