

Designed by
Faruk Malhan

Office

DOFFICE DOLAP S2 524

Office designed by Faruk Malhan is a living space composed of various cabinets to serve all the storage needs in workplaces through different modules and sizes. In this system, a wide variety of storage units with drawers or hinged doors are presented.

Warranty / Cleaning & Maintenance

The warranty period is five years from the date of delivery. Check the QR code below, to see cleaning & maintenance information.

COLORS & MATERIALS

Metal Finishes



SATIN EPOXY
POWDER COATING



RAL 7021
ANTHRACITE EPOXY
POWDER COATING



3101 WHITE EPOXY
POWDER COATING

Laminate Finishes



3153 OFIS GREY



3101 WHITE



VT459 GREY



VT925 WHITE OAK



VT053 SMOKED OAK

Production Time / Assembly Notes




6-8 weeks + Shipping

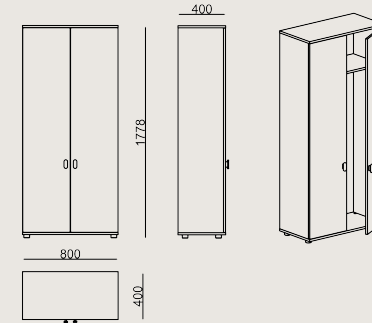
The product is delivered disassembled.

Product Description

- The unit come in laminated top table, shelves, doors and back.
- The unit body is made of laminate.
- This option feature one laminated interior shelves.
- Clothing rail is included.
- The right storage door features a lock, and both doors feature aluminum handles.
- All models feature black plastic glides.

Dimension

 Volume	0.2 m3 7.06 cbft3
 Package	4
 Weight	54 kg 119.05 lbs



DOFFICE STORAGE S2 524 MELAMINE
Overall Width: 800 mm / 31.5"
Overall Depth: 400 mm / 15.75"
Overall Height: 1778 mm / 70"

Scan for all
colors & materials & catalogs

