

Designed by  
**Faruk Malhan**

## DOFFICE

DOFFICE DOLAP S2 424

DOFFICE designed by Faruk Malhan is a living space composed of various cabinets to serve all the storage needs in workplaces through different modules and sizes. In this system, a wide variety of storage units with drawers or hinged doors are presented.

## Warranty / Cleaning & Maintenance

The warranty period is five years from the date of delivery. Check the QR code below, to see cleaning & maintenance information.

## COLORS & MATERIALS

### Metal Finishes



SATIN EPOXY  
POWDER COATING



RAL 7021  
ANTHRACITE EPOXY  
POWDER COATING



3101 WHITE EPOXY  
POWDER COATING

### Laminate Finishes



3153 OFIS GREY



3101 WHITE



VT459 GREY



VT925 WHITE OAK



VT053 SMOKED OAK

## Production Time / Assembly Notes

6-8 weeks + Shipping

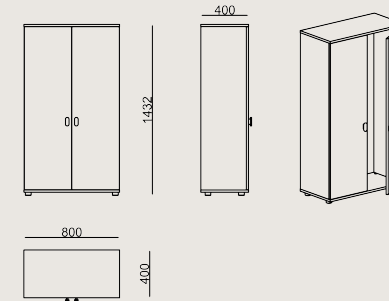
The product is delivered disassembled.

## Product Description

- The unit come in laminated top table, doors and back.
- The unit body is made of laminate.
- This option does not include shelves.
- The right storage door features a lock, and both doors feature aluminum handles.
- All models feature black plastic glides.

## Dimension

	Volume	0.15 m3 5.3 cbft3
	Package	4
	Weight	0 kg 0 lbs



DOFFICE STORAGE S2 424 MELAMINE  
**Overall Width:** 800 mm / 31.5"  
**Overall Depth:** 400 mm / 15.75"  
**Overall Height:** 1432 mm / 56.38"

Scan for all  
colors & materials & catalogs

