



Designed by  
**Faruk Malhan**

## DOFFICE

DOFFICE DOLAP S2 422

DOffice designed by Faruk Malhan is a living space composed of various cabinets to serve all the storage needs in workplaces through different modules and sizes. In this system, a wide variety of storage units with drawers or hinged doors are presented.

## Warranty / Cleaning & Maintenance

The warranty period is five years from the date of delivery. Check the QR code below, to see cleaning & maintenance information.

## COLORS & MATERIALS

### Metal Finishes



SATIN EPOXY  
POWDER COATING



RAL 7021  
ANTHRACITE EPOXY  
POWDER COATING



3101 WHITE EPOXY  
POWDER COATING

### Laminate Finishes



3153 OFIS GREY



3101 WHITE



VT459 GREY



VT925 WHITE OAK



VT053 SMOKED OAK

## Production Time / Assembly Notes




6-8 weeks + Shipping

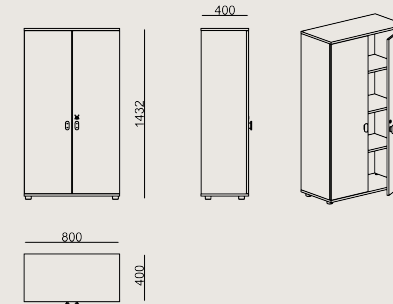
The product is delivered disassembled.

## Product Description

- The unit come in laminated top table, shelves, doors and back.
- The unit body is made of laminate.
- This option feature triple laminated interior shelves.
- The right storage door features a lock, and both doors feature aluminum handles.
- All models feature black plastic glides.

## Dimension

 Volume	0.15 m3 5.3 cbft3
 Package	4
 Weight	47.35 kg 104.39 lbs



DOFFICE STORAGE S2 422 MELAMINE  
Overall Width: 800 mm / 31.5"  
Overall Depth: 400 mm / 15.75"  
Overall Height: 1432 mm / 56.38"

Scan for all  
colors & materials & catalogs

