



Designed by
Faruk Malhan

DOFFICE

DOFFICE DOLAP S2 421

DOFFICE designed by Faruk Malhan is a living space composed of various cabinets to serve all the storage needs in workplaces through different modules and sizes. In this system, a wide variety of storage units with drawers or hinged doors are presented.

Warranty / Cleaning & Maintenance

The warranty period is five years from the date of delivery. Check the QR code below, to see cleaning & maintenance information.

COLORS & MATERIALS

Metal Finishes



SATIN EPOXY
POWDER COATING



RAL 7021
ANTHRACITE EPOXY
POWDER COATING



3101 WHITE EPOXY
POWDER COATING

Laminate Finishes



3153 OFIS GREY



3101 WHITE



VT459 GREY



VT925 WHITE OAK



VT053 SMOKED OAK

Production Time / Assembly Notes




6-8 weeks + Shipping

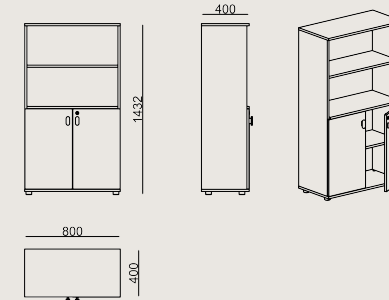
The product is delivered disassembled.

Product Description

- This unit come in laminated top table, shelves, door and back.
- This option feature double laminated interior shelves.
- Two of the shelves are concealed within the door.
- The product includes two keys for the storage lock.
- All models feature black plastic glides.

Dimension

 Volume	0.13 m ³ 4.59 cbft ³
 Package	4
 Weight	0 kg 0 lbs



DOFFICE STORAGE S2 421 MELAMINE
Overall Width: 800 mm / 31.5"
Overall Depth: 400 mm / 15.75"
Overall Height: 1432 mm / 56.38"

Scan for all
colors & materials & catalogs

