



Designed by
Faruk Malhan

DOFFICE

DOFFICE DOLAP S2 221

DOFFICE designed by Faruk Malhan is a living space composed of various cabinets to serve all the storage needs in workplaces through different modules and sizes. In this system, a wide variety of storage units with drawers or hinged doors are presented.

Warranty / Cleaning & Maintenance

The warranty period is five years from the date of delivery. Check the QR code below, to see cleaning & maintenance information.

COLORS & MATERIALS

Metal Finishes



RAL7044 POWDER COATING



SATIN POWDER COATING



3101 WHITE POWDER COATING



METALLIC BROWN POWDER COATING



METALLIC ANTHRACITE POWDER COATING



SANDY GREY POWDER COATING

Laminate Finishes



A610 CABANA VNR



A662 REMBRANDT ART



D264 BONY DÜZ



D218 KASMIR NTR



D142 GRANIT NTR



D164 LUNA NTR

Production Time / Assembly Notes

6-8 weeks + Shipping

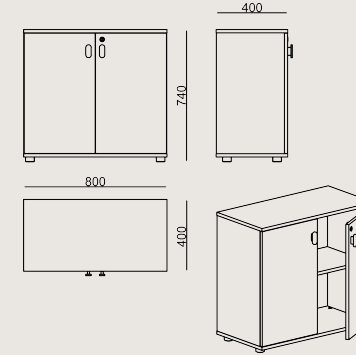
The product is delivered disassembled.

Product Description

- The unit body, top table, shelves, doors, and back are all made of laminate.
- There is one laminated shelf inside.
- The right door is lockable, and both doors have aluminum handles.
- The legs are made of black plastic.

Dimension

	Volume	0.12 m3 4.24 cbft3
	Package	4
	Weight	27.8 kg 61.29 lbs



DOFFICE STORAGE S2 221 MELAMINE
Overall Width: 800 mm / 31.5"
Overall Depth: 400 mm / 15.75"
Overall Height: 740 mm / 29.13"

