



Designed by  
**Koray Malhan**

## Threshold

THRESHOLD STORAGE S0 H1L1\_C

Designed for dynamic open office environments, this shelving system is available in four different heights and two length options. With models featuring integrated planter boxes, it adds vitality to office spaces while fulfilling storage needs. Optional modular boxes provide flexible solutions for various requirements.

## Warranty / Cleaning & Maintenance

The warranty period is five years from the date of delivery. Check the QR code below, to see cleaning & maintenance information.

## COLORS & MATERIALS

### Metal Finishes



RAL 7021  
ANTHRACITE EPOXY  
POWDER COATING



3101 WHITE EPOXY  
POWDER COATING

### Laminate Finishes



3153 OFIS GREY



3101 WHITE



VT459 GREY



VT925 WHITE OAK



VT053 SMOKED OAK

## Production Time / Assembly Notes




6-8 weeks + Shipping

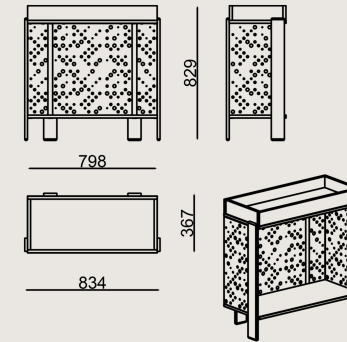
The product is delivered disassembled.

## Product Description

- These units consist of metal panel surfaces and wooden shelves.
- As accessory additional boxes and modular panels can be selected.
- These units don't feature a planter option.
- All models feature plastic glides.

## Dimension

 Volume	0.12 m <sup>3</sup> 4.24 cbft <sup>3</sup>
 Package	5
 Weight	0 kg 0 lbs



THRESHOLD STORAGE S0 H1L1\_C MELAMINE EPX  
**Overall Width:** 834 mm / 32.83"  
**Overall Depth:** 367 mm / 14.45"  
**Overall Height:** 829 mm / 32.64"

Scan for all  
colors & materials & catalogs

