



Designed by  
**Faruk Malhan**

## Alia

ALIA S1 SBA4CV SIDE BOARD

Alia sideboard draws attention with its design and aesthetics in its coatings. With its push-pull doors and angled triangular legs, Alia sideboard can be combined with different decoration styles thanks to its simple line.

### Warranty / Cleaning & Maintenance

The warranty period is five years from the date of delivery. Check the QR code below, to see cleaning & maintenance information.

### COLORS & MATERIALS

#### Veneer Finishes



WHITE OAK VENEER



SMOKED OAK VENEER



GR012 GREY VENEER

#### Metal Finishes



RAL 7021 ANTHRACITE EPOXY POWDER COATING

### Production Time / Assembly Notes

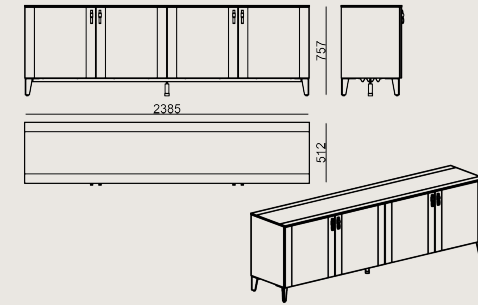
6-8 weeks + Shipping  
The product is delivered disassembled.

### Product Description

- The body is made of 16 mm MDF, painted in lacquered smoked color, each compartment includes a drawer and a 25 mm MDF lacquered shelf.
- The top panel is made of 12 mm MDF with a natural veneer finish.
- The doors are made of 16 mm MDF with a natural veneer finish.
- The legs are made of solid wood and finished with colored varnish.

### Dimension

|  |         |                 |
|--|---------|-----------------|
|  | Volume  | 0 m3<br>0 cbft3 |
|  | Package | 3               |
|  | Weight  | 0 kg<br>0 lbs   |



ALIA S1 SBA4CV SIDE BOARD VENEER  
Overall Width: 2385 mm / 93.9"  
Overall Depth: 514 mm / 20.24"  
Overall Height: 755 mm / 29.72"

Scan for all colors & materials & catalogs

