



Designed by
Faruk Malhan

Adola

ADOLA S0 TBAD204M

Adola is a dining table designed for those seeking a modern aesthetic, featuring a sleek form and a unique leg structure that ensures a sturdy and balanced appearance. It comes with a tabletop available in marble and wood veneer finishes in different color options. The wood veneer version offers two options: fixed and extendable.

Warranty / Cleaning & Maintenance

The warranty period is five years from the date of delivery. Check the QR code below, to see cleaning & maintenance information.

COLORS & MATERIALS

Metal Finishes



RAL 7021
ANTHRACITE EPOXY
POWDER COATING

Marble Finishes



BRUNO PERLA



VEGA LIGHT



AVAKADO GREEN



ELAZIG VISNE



CALACATTA HELENA



CAPELLA CILALI

Production Time / Assembly Notes




6-8 weeks + Shipping

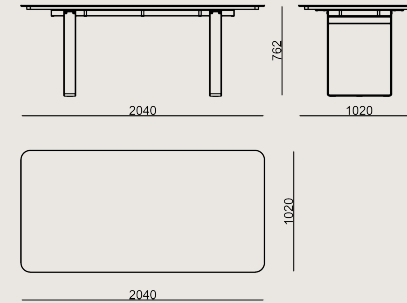
The product is delivered disassembled.

Product Description

- This series of Adola dining table features a tabletop consisting of a 5mm layer of natural marble and a 5mm layer of porcelain material laminated together.
- The laminated marble tabletop is supported by a lacquered painted MDF.
- The base features a powder coated flat steel structure and floor compatible glides.

Dimension

 Volume	0.5 m3 17.66 cbft3
 Package	4
 Weight	133.4 kg 294.1 lbs



ADOLA S0 TBAD204M MARBLE FINISH
Overall Width: 2040 mm / 80.32"
Overall Depth: 1020 mm / 40.16"
Overall Height: 760 mm / 29.92"

Scan for all
colors & materials & catalogs

