



Designed by
Koray Malhan

Song

SONG S3 SH1_C

Introducing the Song Cabinet Group: a versatile storage solution with two door heights and lockers for diverse cabinet needs. The Song Pedestal complements management requirements with its integrated stationery and filing units.

Warranty / Cleaning & Maintenance

The warranty period is five years from the date of delivery. Check the QR code below, to see cleaning & maintenance information.

COLORS & MATERIALS

Veneer Finishes



WHITE OAK VENEER



SMOKED OAK VENEER



GR012 GREY VENEER

Metal Finishes



SATIN EPOXY POWDER COATING



RAL 7021 ANTHRACITE EPOXY POWDER COATING



3101 WHITE EPOXY POWDER COATING

Laminate Finishes



3153 OFIS GREY



3101 WHITE



VT459 GREY



VT925 WHITE OAK



VT053 SMOKED OAK

Production Time / Assembly Notes

6-8 weeks + Shipping

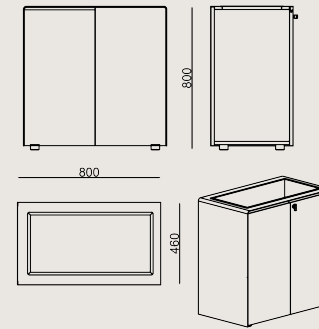
The product is delivered assembled.

Product Description

- These units come in laminated or veneered MDF storage doors and back.
- Both options feature two laminated interior shelves.
- The right storage door features a lock, and both doors feature aluminum profile pulls seated on the top side of the door with a generous grip surface channel.
- The product includes two keys for the storage lock.
- The Right Side and the Left Side Unit feature a single piece, powder coated metal sheet on the surface that will be exposed when placed side by side.
- The Single Unit has all sides covered in powder coated metal sheet since it is designed to function on its own.
- The intersecting parts feature a melamine structure.
- Cabinet tops feature powder coated metal containers.
- These containers are not designed to function as planters, but to place planters inside.
- Opt for plants that require minimal watering for this product.
- All models feature black plastic glides.

Dimension

	Volume	0.36 m3 12.71 cbft3
	Package	1
	Weight	48 kg 105.82 lbs



SONG S3 SH1_C VENEER / EPOXY
Overall Width: 800 mm / 31.5"
Overall Depth: 460 mm / 18.11"
Overall Height: 800 mm / 31.5"

Scan for all colors & materials & catalogs

