



Designed by  
**Koray Malhan**

## Song SONG S3 RH1\_C

Introducing the Song Cabinet Group: a versatile storage solution with two door heights and lockers for diverse cabinet needs. The Song Pedestal complements management requirements with its integrated stationery and filing units.

### Warranty / Cleaning & Maintenance

The warranty period is five years from the date of delivery. Check the QR code below, to see cleaning & maintenance information.

### COLORS & MATERIALS




### Production Time / Assembly Notes

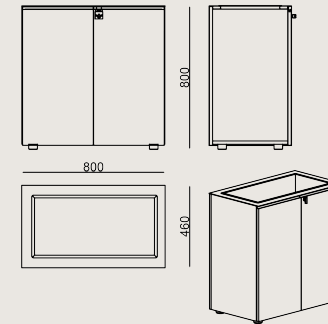
6-8 weeks + Shipping  
The product is delivered assembled.

### Product Description

- These units come in laminated or veneered MDF storage doors and back.
- Both options feature two laminated interior shelves.
- The right storage door features a lock, and both doors feature aluminum profile pulls seated on the top side of the door with a generous grip surface channel.
- The product includes two keys for the storage lock.
- The Right Side and the Left Side Unit feature a single piece, powder coated metal sheet on the surface that will be exposed when placed side by side.
- The intersecting parts feature a melamine structure.
- Cabinet tops feature powder coated metal containers.
- These containers are not designed to function as planters, but to place planters inside.
- Opt for plants that require minimal watering for this product.
- All models feature black plastic glides.

### Dimension

 Volume	0.36 m <sup>3</sup> 12.71 cbft <sup>3</sup>
 Package	1
 Weight	46.5 kg 102.51 lbs



SONG S3 RH1\_C VENEER / EPOXY  
Overall Width: 800 mm / 31.5"  
Overall Depth: 460 mm / 18.11"  
Overall Height: 800 mm / 31.5"

Scan for all  
colors & materials & catalogs

