



Designed by
Koray Malhan

Song SONG S3 SH1

Introducing the Song Cabinet Group: a versatile storage solution with two door heights and lockers for diverse cabinet needs. The Song Pedestal complements management requirements with its integrated stationery and filing units.

Warranty / Cleaning & Maintenance

The warranty period is five years from the date of delivery. Check the QR code below, to see cleaning & maintenance information.

COLORS & MATERIALS

Production Time / Assembly Notes




6-8 weeks + Shipping

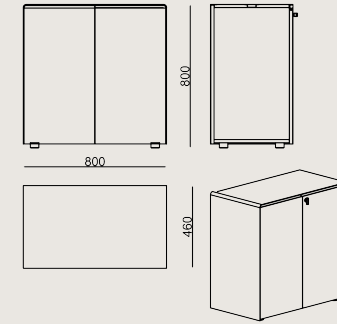
The product is delivered assembled.

Product Description

- These units come in laminated or veneered MDF storage doors a and back.
- Both options feature two laminated interior shelves.
- The right storage door features a lock, and both doors feature aluminum profile pulls seated on the top side of the door with a generous grip surface channel.
- The product includes two keys for the storage lock.
- The Right Side and the Left Side Unit feature a single piece, powder coated metal sheet on the surface that will be exposed when placed side by side.
- The intersecting parts feature a melamine structure.
- The Single Unit has all sides covered in powder coated metal sheet since it is designed to function on its own.
- All models feature black plastic glides.

Dimension

 Volume	0.36 m3 12.71 cbft3
 Package	1
 Weight	43 kg 94.8 lbs



SONG S3 SH1 VENEER / EPOXY
Overall Width: 800 mm / 31.5"
Overall Depth: 460 mm / 18.11"
Overall Height: 800 mm / 31.5"

