



Designed by
Studio Kairos

Terna

TERNA S0 K120X38M SHP AV GRN

Designed by Studio Kairos, the Terna family offers both coffee and console tables with its modular structure. Featuring slim wood or marble tops and asymmetrical geometric legs, it combines elegance with functionality. With various forms and height options, it allows for unique combinations that suit any space.

Warranty / Cleaning & Maintenance

The warranty period is five years from the date of delivery. Check the QR code below, to see cleaning & maintenance information.

COLORS & MATERIALS

Metal Finishes



RAL 7021
ANTHRACITE EPOXY
POWDER COATING




Production Time / Assembly Notes

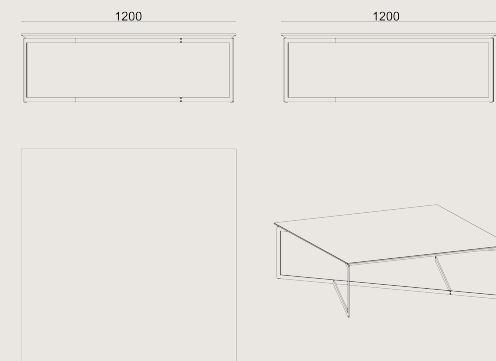
6-8 weeks + Shipping
The product is delivered disassembled.

Product Description

- The table top consists of 5 mm marble combined with 5 mm composite material.
- The laminated marble tabletop is supported by a lacquered painted 18mm MDF.
- The legs are constructed from 25 x 8 mm metal flats and finished with a powder coating.

Dimension

 Volume	0.28 m3 9.89 cbft3
 Package	2
 Weight	69.8 kg 153.88 lbs



TERNA S0 K120X38M SHP BRUNO P. MR EPOXY

Overall Width: 1200 mm / 47.24"

Overall Depth: 1200 mm / 47.24"

Overall Height: 384 mm / 15.12"

Scan for all
colors & materials & catalogs

