



Designed by
Koray Malhan

Rarum

RARUM EXC S2 1C1R

Rarum is a stylish storage unit that doubles as a room divider or wall feature. With spacious drawers and open shelves, it offers both function and form—creating visual depth and display space that enhances any interior.

Warranty / Cleaning & Maintenance

The warranty period is five years from the date of delivery. Check the QR code below, to see cleaning & maintenance information.

COLORS & MATERIALS

Veneer Finishes



WHITE OAK VENEER



SMOKED OAK VENEER



GR012 GREY VENEER

Lacquered Finishes



RAL 7021 ANTHRACITE LACQUER




Production Time / Assembly Notes

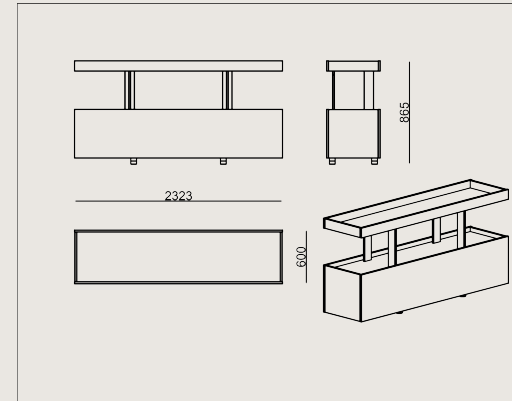
6-8 weeks + Shipping
The product is delivered disassembled.

Product Description

- The horizontal shelf tops are lacquered MDF.
- The side panels, drawing doors, and inner compartment dividers can be ordered in veneered or lacquered MDF.
- The metal structures between the upper and lower compartments are powder coated extruded aluminum.
- The bottom compartment features a full-extension drawer.
- The base consists of adjustable leveler glides to adapt to varying floor levels.

Dimension

 Volume	0.5 m3 17.66 cbft3
 Package	2
 Weight	81.25 kg 179.13 lbs



RARUM EXC S2 1C1R SMKOAK NF R7021 LQ
Overall Width: 1742 mm / 68.58"
Overall Depth: 450 mm / 17.72"
Overall Height: 865 mm / 34.06"

Scan for all colors & materials & catalogs

