



Designed by  
**Tristan Lohner**

## Line

LINE S0 80x80 POUF

Line sofa was designed by French designer Tristan Lohner. The seating and backrest modules are built on a platform standing on very thin legs. In some compositions, this carrier platform can extend beyond the seating area and turn into a place where accessories and magazines can be placed.

## Warranty / Cleaning & Maintenance

The warranty period is five years from the date of delivery. Check the QR code below, to see cleaning & maintenance information.

## COLORS & MATERIALS

### Metal Finishes



CAMIRA VITA  
SEAWEED ITA31



SATIN EPOXY  
POWDER COATING



3101 WHITE EPOXY  
POWDER COATING



BOYA EP.  
1263785PX20  
COFFEE BROWN İÇ  
MEKA



BOYA EP.  
1263784PX20  
METALİK ANTRASİT  
İÇ



BOYA EP.  
1263791PX25 SANDY  
GRI İÇ MEKAN

### Laminate Finishes



VT459 GREY



SUNTALAM 30 MM  
BALOS YTZ34 RE3  
YILDIZ



SUNTALAM 30 MM  
AMBER CEVİZ YT10R  
RE3 YIL



SUNTALAM 30 MM  
LİNDOS YTZ40 RE3  
YILDIZ



SUNTALAM 30 MM  
VİTA YT85B DÜZ  
YILDIZ



SUNTALAM 30 MM  
İNÇİ KUM YTZ64 DÜZ  
YILDIZ

### Fabric Finishes

**Fabric A:** FK028

**Fabric B:** Era, Valor, Alba, Tanriverdi, Porto

**Fabric C:** Rivet, Furnilana, Jet, Torino, Jeans, Taiga, Forte, Thor

**Fabric D:** Synergy, Main Line Flax, Avatar, Jupiter, KVADRAT TECHNICOLOUR

**Fabric E:** Iseo, Matera, Onix, Supernova, Smilla, Ipanema

**Fabric F:** Memory 2, Steelcut Trio, Oceanic, Craggan, Velvety, Credo, Twin

**Fabric B+:** Catch, KVADRAT AUTUMN, KVADRAT GUEST, KVADRAT TELEMIA

### Leather Finishes

**Artificial Leather:** Artificial Leathers

**Vita Artificial Leather:** Vita Artificial Leathers

**Leather B:** DERI MASTROTTO LINEA 622 NERO

**Geniune Leather A:** Linea

**Geniune Leather B:** Atlantic

## Production Time / Assembly Notes

6-8 weeks + Shipping

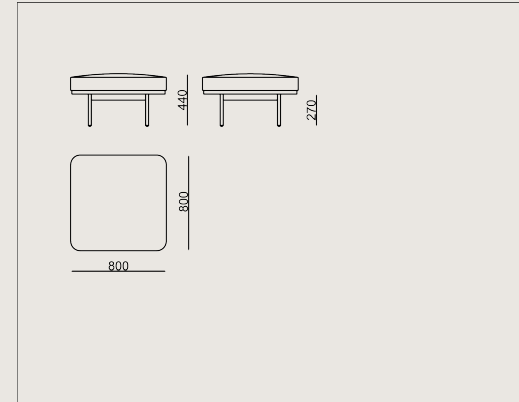
The product is delivered assembled.

## Product Description

- The seat features a steel inner frame.
- The body is padded with foams of various densities.
- A chipboard panel is positioned between the frame and the legs, serving as a connecting element.
- The legs are powder-coated metal.
- Protective furniture glides are attached to the bottom of the legs to protect the floor.

## Dimension

	Volume	0.35 m3 12.36 cbft3
	Package	1
	Weight	28 kg 61.73 lbs



LINE S0 80x80 POUF FABRIC A  
**Overall Width:** 800 mm / 31.5"  
**Overall Depth:** 800 mm / 31.5"  
**Overall Height:** 440 mm / 17.32"  
**Seat Width:** 800 mm / 31.5"  
**Seat Depth:** 800 mm / 31.5"  
**Seat Height:** 440 mm / 17.32"  
**For COL: Customer's Own Leather**  
 175 dm<sup>2</sup> / 18.84 sq.ft of leather required.

Scan for all  
colors & materials & catalogs

