



Designed by
Tristan Lohner

Line

LINE S0 345 MR PR SOFA

Line is a creation of French designer Tristan Lohner. The sofa features seat and backrest modules arranged on a sleek platform elevated by slender legs. In some configurations, the platform extends beyond the seating area, creating a practical surface for accessories or magazines.

Warranty / Cleaning & Maintenance

The warranty period is five years from the date of delivery. Check the QR code below, to see cleaning & maintenance information.

COLORS & MATERIALS

Metal Finishes



CAMIRA VITA
SEAWEED ITA31



SATIN EPOXY
POWDER COATING



3101 WHITE EPOXY
POWDER COATING



BOYA EP.
1263785PX20
COFFEE BROWN İÇ
MEKA



BOYA EP.
1263784PX20
METALİK ANTRASİT
İÇ



BOYA EP.
1263791PX25 SANDY
GRİ İÇ MEKAN

Laminate Finishes



VT459 GREY



SUNTALAM 30 MM
BALOS YTZ34 RE3
YILDIZ



SUNTALAM 30 MM
AMBER CEVİZ YT10R
RE3 YIL



SUNTALAM 30 MM
LİNDOS YTZ40 RE3
YILDIZ



SUNTALAM 30 MM
VİTA YT85B DÜZ
YILDIZ



SUNTALAM 30 MM
İNÇİ KUM YTZ64 DÜZ
YILDIZ

Fabric Finishes

Fabric A: FK028

Fabric B: Era, Valor, Alba, Tanriverdi, Porto

Fabric C: Rivet, Furnilana, Jet, Torino, Jeans, Taiga, Forte, Thor

Fabric D: Synergy, Main Line Flax, Avatar, Jupiter, KVADRAT TECHNICOLOUR

Fabric E: Iseo, Matera, Onix, Supernova, Smilla, Ipanema

Fabric F: Memory 2, Steelcut Trio, Oceanic, Craggan, Velvety, Credo, Twin

Fabric B+: Catch, KVADRAT AUTUMN, KVADRAT GUEST, KVADRAT TELEMIA

Leather Finishes

Artificial Leather: Artificial Leathers

Vita Artificial Leather: Vita Artificial Leathers

Leather B: DERI MASTROTTO LINEA 622 NERO

Geniune Leather A: Linea

Geniune Leather B: Atlantic

Production Time / Assembly Notes

6-8 weeks + Shipping

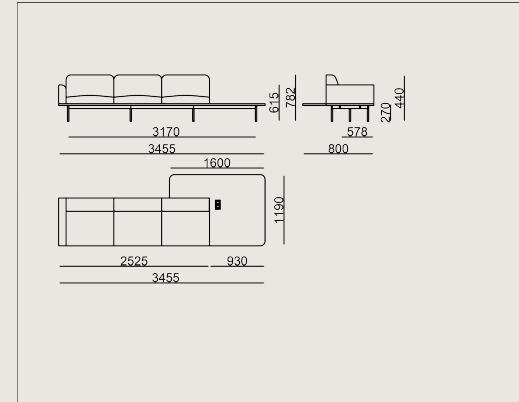
The product is delivered assembled.

Product Description

- The seat features a steel inner frame, while the armrests have a wooden inner structure.
- The body is padded with foams of various densities.
- A chipboard panel is positioned between the frame and the legs, serving as a connecting element.
- A black plastic electrical unit featuring 2 power outlets and 2 USB Type A ports with a 220-volt connection is integrated into the coffee table.
- The legs are powder-coated metal.
- Protective furniture glides are attached to the bottom of the legs to protect the floor.

Dimension

	Volume	1.58 m3 55.8 cbft3
	Package	1
	Weight	160 kg 352.74 lbs



LINE S0 345 MR PR SOFA FABRIC A

Overall Width: 3455 mm / 136.02"

Overall Depth: 1190 mm / 46.85"

Overall Height: 800 mm / 31.5"

Seat Width: 3170 mm / 124.8"

Seat Depth: 578 mm / 22.76"

Seat Height: 440 mm / 17.32"

Arm Height: 615 mm / 24.21"

For COL: Customer's Own Leather

1650 dm2 / 177.60 sq.ft. of leather required.

Scan for all
colors & materials & catalogs

