



Designed by  
**Koray Malhan**

## Merlin

MERLIN 50 ARMCHAIR UCP

Merlin chair features a versatile design that adapts to various settings with its different base options. Its soft polyurethane shell, molded over a metal frame, offers a perfect balance of comfort and elegance.

### Warranty / Cleaning & Maintenance

The warranty period is five years from the date of delivery. Check the QR code below, to see cleaning & maintenance information.

## COLORS & MATERIALS

### Metal Finishes



CHROME

### Fabric Finishes

**Fabric B:** Era, Austin, Alba  
**Fabric C:** Rivet, Furnilana, Jet, Torino, Jeans  
**Fabric D:** Synergy, Main Line Flax, KVADRAT TECHNICOLOUR  
**Fabric E:** Iseo, Matera  
**Fabric F:** Memory 2, Steelcut Trio, Oceanic, Craggan  
**Fabric B+:** KVADRAT AUTUMN, KVADRAT GUEST, KVADRAT TELEMIA

### Leather Finishes

**Artificial Leather:** Artificial Leathers  
**Vita Artificial Leather:** Vita Artificial Leathers  
**Leather B:** DERI MASTROTTO LINEA 622 NERO  
**Geniune Leather A:** Linea  
**Geniune Leather B:** Atlantic

### Production Time / Assembly Notes

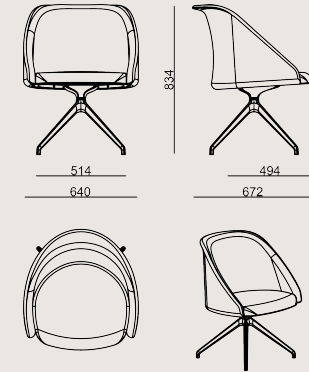
6-8 weeks + Shipping  
 The product is delivered assembled.

### Product Description

- Soft polyurethane shell molded over a metal frame.
- The pyramid legs are made of aluminum.
- Protective glides are attached to the bottom of the legs to protect the floor.

### Dimension

	Volume	0.5 m3 17.66 cbft3
	Package	1
	Weight	14.55 kg 32.08 lbs



MERLIN 50 ARMC UCP FABRIC A  
**Overall Width:** 640 mm / 25.2"  
**Overall Depth:** 672 mm / 26.46"  
**Overall Height:** 834 mm / 32.83"  
**Seat Width:** 514 mm / 20.24"  
**Seat Depth:** 494 mm / 19.45"  
**Seat Height:** 463 mm / 18.23"  
**For COL: Customer's Own Leather**  
 350 dm2 / 37.67 sq.ft of leather required.  
**For COM: Customer's Own Material**  
 2 meters / 2.19 yards of fabric required.

Scan for all  
colors & materials & catalogs

