



Designed by
Faruk Malhan

Odette

ODETTE S0 225 SOFA

The Odette sofa is a seating group that stands out with its elegant and modern design. Its fluid-lined body, comfortable seating area, and stylish details make it distinctive. The metal legs are coated with black nickel, offering both elegance and durability.

Warranty / Cleaning & Maintenance

The warranty period is five years from the date of delivery. Check the QR code below, to see cleaning & maintenance information.

COLORS & MATERIALS

Fabric Finishes

Fabric B: Savana, Austin, Tanriverdi, Porto, Vanelli

Fabric B+: Farinoso, Catch, KVADRAT AUTUMN, KVADRAT GUEST, KVADRAT TELEMA

Fabric C: Antares, Taiga, Forte, Thor

Fabric D: Gina, Duke, Kaori, Avatar, Jupiter, KVADRAT TECHNICOLOUR

Fabric E: Onix, Supernova, Smilla, Ipanema

Fabric F: Velvety, Credo, Twin

Leather Finishes

Leather B: DERI MASTROTTO LINEA 622 NERO

Geniune Leather A: Linea

Geniune Leather B: Atlantic

Production Time / Assembly Notes




6-8 weeks + Shipping

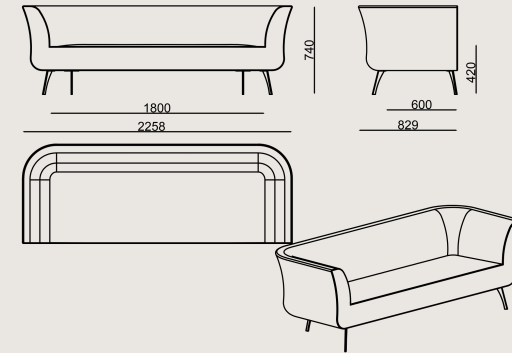
The product is delivered assembled.

Product Description

- The features a wooden structure interior frame.
- To ensure the necessary flexibility in the seating area, elastic webbing is applied to the seat frame and various density foams are used on top.
- The legs are nickel-plated metal.
- Protective furniture glides are attached to the bottom of the legs to protect the floor.

Dimension

 Volume	0.6 m3 21.19 cbft3
 Package	2
 Weight	80 kg 176.37 lbs



ODETTE S0 225 SOFA FABRIC A
Overall Width: 2257 mm / 88.86"
Overall Depth: 829 mm / 32.64"
Overall Height: 743 mm / 29.25"
Seat Width: 1800 mm / 70.87"
Seat Depth: 763 mm / 30.04"
Seat Height: 420 mm / 16.54"
Arm Height: 345 mm / 13.58"
For COM: Customer's Own Material
 9,630 meters / 9.84 yards of fabric required.

Scan for all
colors & materials & catalogs

